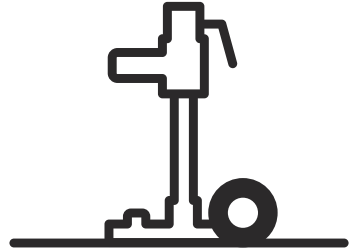




# Husqvarna®



DS 500

EN	Operator's manual	2-14
DE	Bedienungsanweisung	15-27
FR	Manuel d'utilisation	28-40
NL	Gebruiksaanwijzing	41-53

# Contents

Introduction.....	2	Maintenance.....	10
Safety.....	3	Transportation and storage.....	11
Assembly.....	6	Technical data.....	13
Installation.....	7	Service.....	13
Operation.....	10	EC Declaration of Conformity.....	14

## Introduction

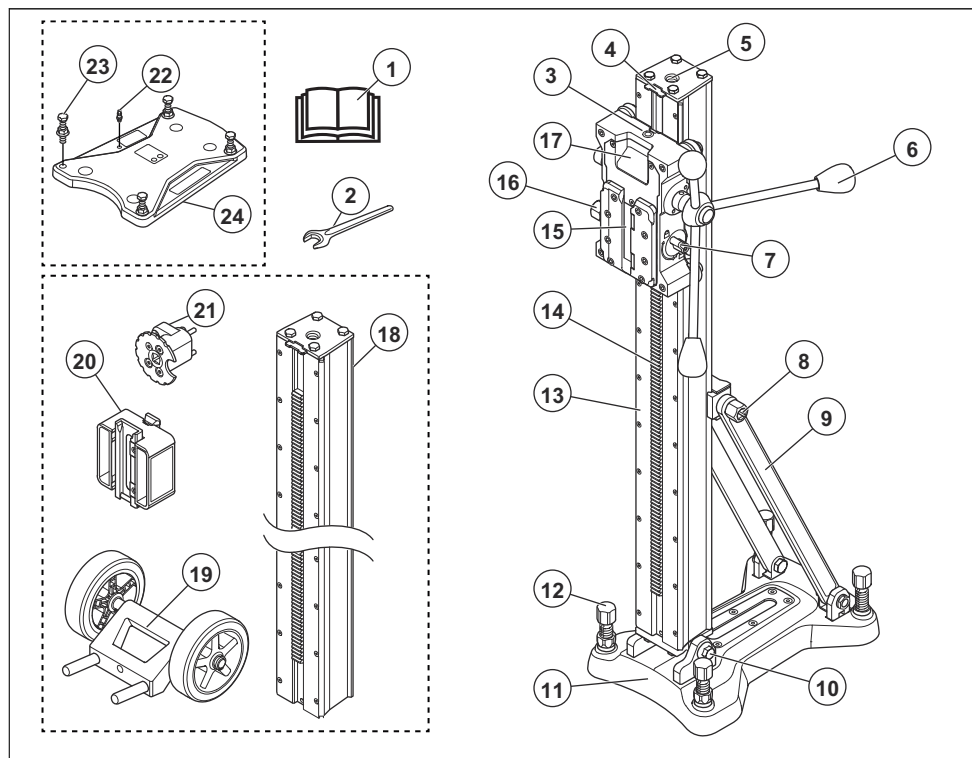
### Product description

The Husqvarna DS 500 is a drill stand for Husqvarna drill motors.

- The stand is for drilling in ceilings, walls and floors.
- The drill stand is stable and can be used to drill dimensions of a maximum diameter of 500 mm.

- The column can be tilted 0-90°.
- The drill stand has a quick mounting plate for the drill motor.
- The feed lever can be used to set the column tilt and to lock the quick mounting.
- It is possible to use a 2 m long column (accessory) on the drill stand.

### Product overview



1. Operator's manual
2. Wrench, 24-32 mm

3. Level indicator
4. End stop

5. Hole for jack screw (accessory)
6. Feed lever
7. Carriage lock
8. Lock screw, column tilt
9. Support
10. Hinge bracket
11. Bottom plate
12. Level adjustment screws
13. Drill column
14. Gear rack
15. Lock clamp, quick mounting
16. Lock screw, lock clamp
17. Carriage
18. Drill column, 2 m (accessory)
19. Transport wheels (accessory)
20. Adapter, quick spacer (accessory)
21. AD bracket (accessory)
22. Connection for vacuum pump
23. Level adjustment screws
24. Gasket, bottom vacuum suction

operator or others. Be careful and use the product correctly.



Read the operator's manual carefully and make sure that you understand the instructions before you use the product.



Use approved hearing protection.

**Note:** Other symbols/decals on the product refer to special certification requirements for some markets.

## Product liability

As referred to in the product liability laws, we are not liable for damages that our product causes if:

- the product is incorrectly repaired.
- the product is repaired with parts that are not from the manufacturer or not approved by the manufacturer.
- the product has an accessory that is not from the manufacturer or not approved by the manufacturer.
- the product is not repaired at an approved service center or by an approved authority.

## Symbols on the product



**WARNING:** This product can be dangerous and cause serious injury or death to the

## Safety

### Safety definitions

Warnings, cautions and notes are used to point out specially important parts of the manual.



**WARNING:** Used if there is a risk of injury or death for the operator or bystanders if the instructions in the manual are not obeyed.



**CAUTION:** Used if there is a risk of damage to the product, other materials or the adjacent area if the instructions in the manual are not obeyed.

**Note:** Used to give more information that is necessary in a given situation.

### Always use common sense



**WARNING:** Under no circumstances should you modify the original design of the machine without approval from the manufacturer. Always use original spare parts. Unauthorized modifications and/or accessories may lead to serious injury or death to the user or others.

It is not possible to cover every conceivable situation you can face when using a drilling machine. Always exercise care and use your common sense. Avoid all situations which you consider to be beyond your capability. If you still feel uncertain about operating procedures after reading these instructions, you should consult an expert before continuing.

Do not hesitate to contact your dealer if you have any more questions about the use of the machine. We will willingly be of service and provide you with advice as well as help you to use your machine both efficiently and safely.

Let your Husqvarna dealer check the drilling machine regularly and make essential adjustments and repairs.

All information and all data in the operator's manual were applicable at the time the operator's manual was sent to print.

### Safety instructions for operation



**WARNING:** Read all safety warnings, instructions, illustrations and specifications provided with this power tool. Failure to follow all instructions listed below may result in electric shock, fire and/or serious injury. Save all warnings and instructions for future reference.



**WARNING:** There is always a risk of injuries when you do work with products that contain moving parts. Wear protective gloves to prevent body injuries.

- Use personal protective equipment. Always wear eye protection. Protective equipment such as a dust mask, non-skid safety shoes, hard hat or hearing protection used for appropriate conditions will reduce personal injuries.
- Keep children and bystanders away while operating a power tool. Distractions can cause you to lose control.
- Remove all unwanted materials from the work area and keep it good illuminated before you start. If the areas are not cleaned and not illuminated there are more risks of accidents.
- Do not operate power tools in explosive atmospheres, such as flammable liquids, gases or dust. Power tools can make sparks which can set fire to the dust or fumes.
- Sudden appearance of persons and animals can make you decrease in control of the product. Because of this, always concentrate and focus on the task.
- Do not use the product in bad weather, such as fog, rain, strong winds, intense cold and equivalent conditions. Dangerous conditions, such as slippery surfaces, can occur because of bad weather.
- Examine the work area before you use the product. Look out for obstacles with risk of sudden and harmful movement. Make sure that no material can become loose and fall or cause injury during operation.
- Always examine the rear side of the surface where the drill bit will go through the surface. Make the area safe and put a mark that shows the work area. Make sure that no injury can occur to persons or material damaged.
- Stay alert, watch what you are doing and use common sense when operating a power tool. Do not use a power tool while you are tired or under the influence of drugs, alcohol or medication. A moment of inattention while operating power tools may result in serious personal injury.
- Prevent unintentional starting. Ensure the switch is in the OFF-position before connecting to power source and/or battery pack, picking up or carrying the tool. Carrying power tools with your finger on the switch or energising power tools that have the switch on invites accidents
- The product can cause objects to eject, which can cause injury to the operator. Remove the adjusting key and wrench before you start the product.
- Do not let familiarity gained from frequent use of tools allow you to become complacent and ignore tool safety principles. A careless action can cause severe injury within a fraction of a second.

- Make sure that all operators, that use the product, have read and understood the contents of the operators manual.
- Dress properly. Do not wear loose clothing or jewellery. Keep your hair and clothing away from moving parts. Loose clothes, jewellery or long hair can be caught in moving parts. .
- Dangerous accidents can occur if the concrete core stay in the drill bit when you pull out the drill motor from the floor or wall.
- Stay at a distance from the drill bit when the motor is running.
- Make sure that no pipes or electrical cables are put in the area where the hole will be made.
- Do not go away from the product when the motor is running.
- Do not overreach. Keep correct foothold and balance at all times. This enables better control of the power tool in unexpected situations.
- Make sure that there is always one more person close at hand when you use the product. If an accident occurs, you can receive help when necessary.
- Do not use a product with defective safety equipment.
- Do the safety checks, maintenance and service as given in this manual. Some maintenance and service measures must only be done by approved service agents. See the section *Safety devices on the product on page 5*
- Inspection and/or maintenance must be done with the motor stopped and the plug disconnected from the power outlet.
- Do not use a product that has been changed from its factory specification.
- Disconnect the plug from the power source and/or remove the battery pack, if detachable, from the power tool before making any adjustments, changing accessories, or storing power tools. Such preventive safety measures reduce the risk of starting the power tool accidentally.
- Keep handles and grasping surfaces dry, clean and free from oil and grease. Slippery handles and grasping surfaces do not allow.
- Do not overload the product. If you overload the product, it can be damaged.
- Keep all parts in good condition and make sure that all fixtures are correctly tightened.

## Personal protective equipment



**WARNING:** Read the warning instructions that follow before you use the product.

- Always use correct personal protective equipment when you operate the product. The personal protective equipment does not erase the risk of injury. The personal protective equipment decreases

the grade of injury if an accident occurs. Let your dealer help you select the right equipment.

- Use approved eye protection while you operate the product.
- Use heavy-duty slip-resistant boots with steel toe-caps.
- Use clothing that is close-fitting but does not limit your movements.
- Regularly do a check of the condition of the personal protective equipment.
- Use approved heavy duty protective gloves.
- Use rubber protective gloves to prevent skin irritation from wet concrete.
- Use an approved protective helmet.
- Always use approved hearing protection while you operate the product. Noise for a long period can cause noise-induced hearing loss.
- The product causes dust and fumes that is bad for your health. Use an approved respiratory protection.
- Make sure that you have a first aid kit near.
- Sparks can occur when you operate the product. Make sure that you have a fire extinguisher near.
- Do not use loose clothing, jewelry or other items that can get caught in moving parts. Put your hair up safely above shoulder level.

### Safety devices on the product

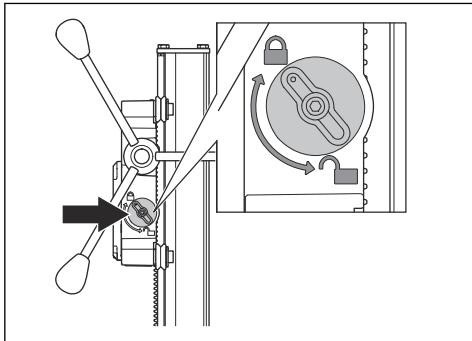


**WARNING:** Read the warning instructions that follow before you use the product.

- Do not use a product with defective safety devices.
- Do a check of the safety devices regularly. If the safety devices are defective, speak to your Husqvarna service agent.

### To do a check of the carriage lock

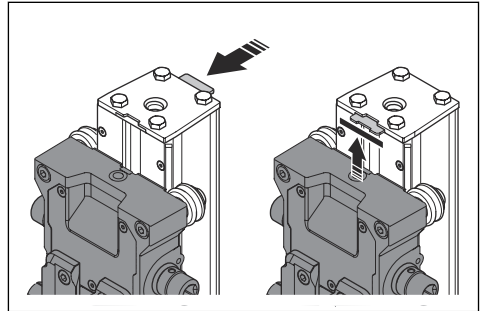
1. Turn the knob to lock the motor carriage.



2. Feel by hand that the carriage is locked to the drill column.

### To do a check of the end stop of the drill column

1. Push the stop plate into the correct position.



2. Make sure that the drill motor carriage stops when it touches the stop plate.

### Safety instructions for maintenance



**WARNING:** Inspection and/or maintenance should be carried out with the motor switched off and the plug disconnected.

- Maintain the product and accessories. Check for misalignment or binding of moving parts, breakage of parts and any other condition that may affect the operation of the product. If damaged, have the product repaired before use.
- Have your product serviced by a Husqvarna service dealer using only identical replacement parts.

# Assembly

## Introduction

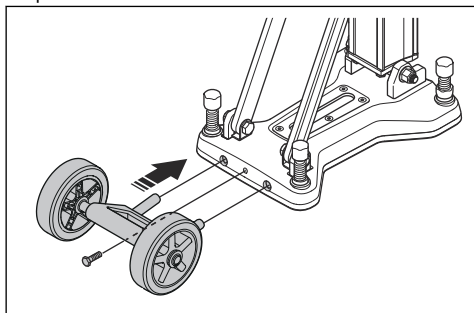
This section describes how to assemble and adjust the product.



**WARNING:** Before you assemble the product, read the safety chapter and the assembly instructions.

## To attach the wheel kit (accessory)

1. Attach the wheel kit on the rear side of the bottom plate.



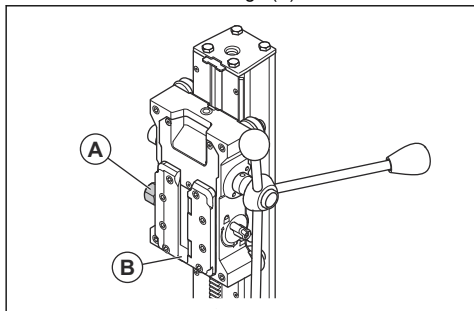
2. Tighten the screw.

## To attach the drill motor



**WARNING:** Always pull out the plug from the outlet socket before cleaning, maintenance or assembly.

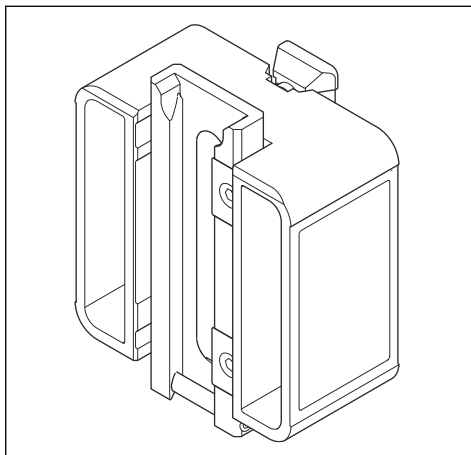
1. Unlock the drill motor carriage (A).
2. Attach the drill motor in the track (B) on the drill motor carriage.
3. Lock the drill motor carriage (A).



## Quick spacer (accessory)

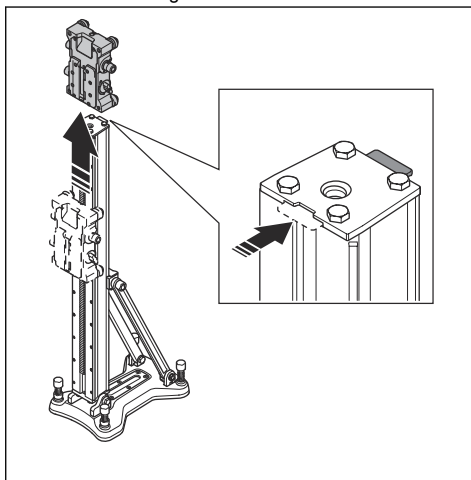
Use a quick spacer to drill large hole diameters. To select the correct quick spacer, refer to *Maximum drill*

*diameter on page 13.* Assemble the quick spacer on the drill motor before you attach the drill motor to the drill stand.

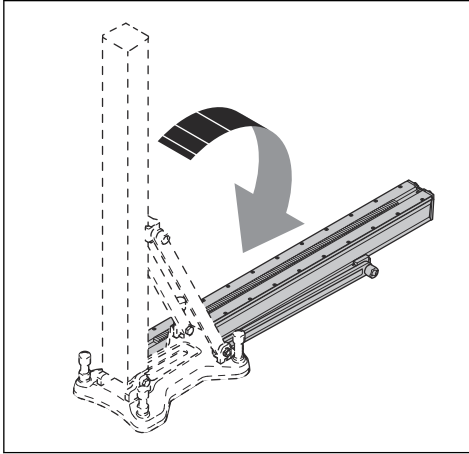


## To replace the drill stand column (accessory)

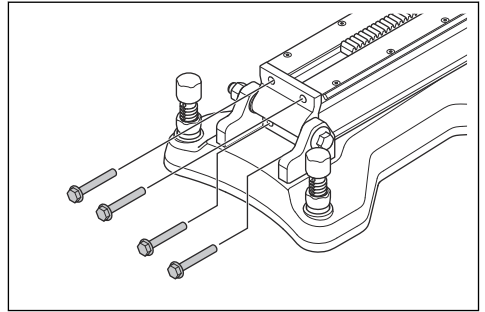
1. Push the stop plate to open position. Remove the drill motor carriage.



2. Fold the drill stand column fully rearward. Refer to *To adjust the angle of the drill column on page 10.*



3. Remove the 4 bolts from the hinge bracket.



4. Remove the drill stand column.
5. Install the drill stand column in the opposite sequence.

## Installation

### Procedures for drill stand installation

There are 3 procedures that can be used to attach the drill stand before a drill operation:

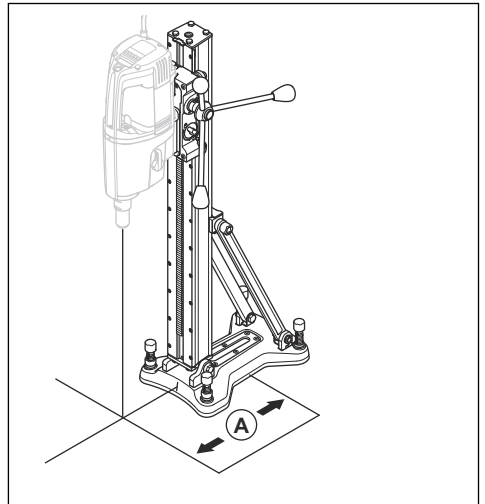
- With an expander bolt.
- With a vacuum plate.
- With a rod that has a thread, a washer and a locknut

### To attach the drill stand with an expander bolt



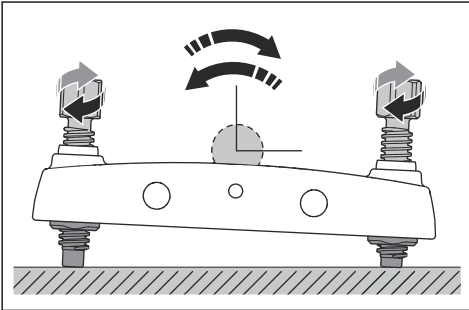
**WARNING:** When drilling ceilings and walls, only expander or anchor suitable for surfaces exposed to tensile forces should be used. Use only expander or anchor which is approved for current application.

1. Make a hole for the expander bolt. Refer to *To attach the expander bolt on page 8.* Measure a distance (A) of 335 mm (13.2 in.) from the center of the hole that you will drill. If you use the quick spacer (accessory), the distance changes. Refer to *Quick spacer (accessory) on page 6.*



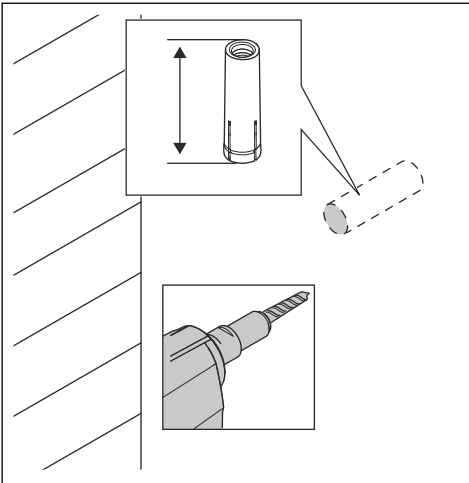
2. Attach the bottom plate with an expander bolt.
3. Make sure that the drill stand is tightened correctly.

4. If it is necessary, adjust the bottom plate. Use the level adjustment screws to adjust the bottom plate to the surface.

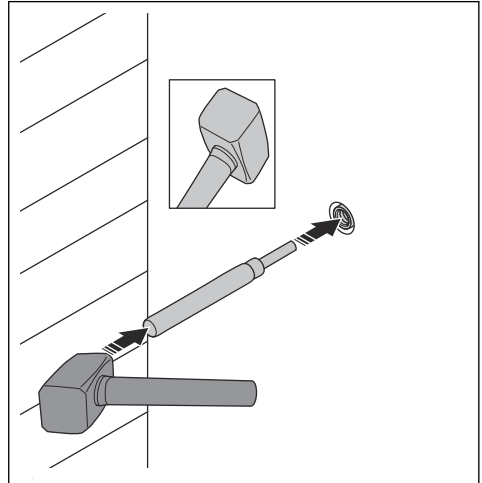


**To attach the expander bolt**

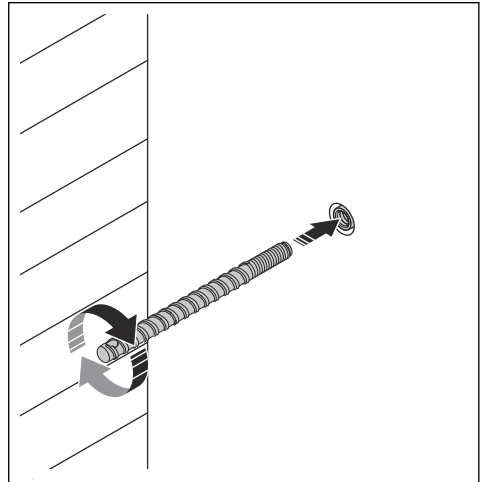
1. Drill a hole for the expander bolt. Make sure that the depth is sufficient. The socket must be put below the surface.



2. Use the mandrel and a hammer to install the expander.

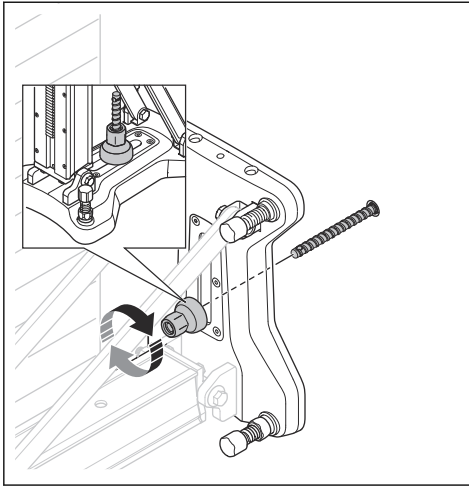


3. Install the anchor screw.





4. Install the drill stand with the nut.



### To attach the product with a Husqvarna vacuum plate



**WARNING:** Do not use the product in combination with the vacuum plate when you drill in walls or ceilings.

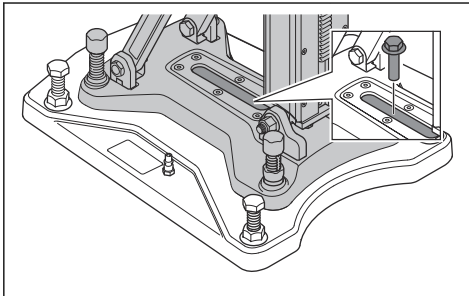


**WARNING:** The support surface must be flat and of good quality. The product can become loose if the vacuum plate cannot seal fully against the surface.

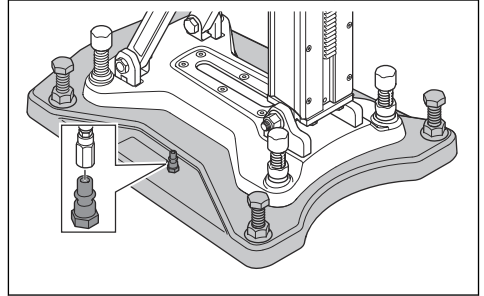


**WARNING:** Use of vacuum plate is only recommended together with these Husqvarna drill motors: DM 200, DM 220, DM 230, DM 280, DM 340, DM 400. Use of other drill motors can cause the product to become loose.

1. Attach the product to the vacuum plate with the bolt.



2. Loosen the level adjustment screws. They must be above the bottom of the vacuum plate.
3. Connect the vacuum hose and start the pump.



**CAUTION:** The minimum pressure must be  $-0.85$  bar to seal the vacuum plate tightly to the surface.

4. Tighten the level screws until you feel pressure on the screw.



**WARNING:** The level adjustment screws must touch the surface when you use the vacuum plate. If not, the vacuum plate can come loose.

### To attach the drill stand with a rod that has a thread

Use an all through rod if it is not possible to attach the drill stand to the wall or ceiling with an expander bolt. Use washers and nuts to tighten the all through rod.

---

## Operation

---

### Before you operate the product



**WARNING:** This machine is designed for and intended for drilling concrete, brick and different stone materials. All other use is improper.



**WARNING:** Before drilling, check that all locking screws are tightened well. Serious accidents can occur if the concrete core remains in the drill when backing out the drill motor/drill from the floor, wall or ceiling.



**WARNING:** When drilling ceilings, always use a water collector that is approved for your drill motor, or use a hydraulic drill motor. There is a risk that the drilling machine and the stand become live if water leaks into the machine.

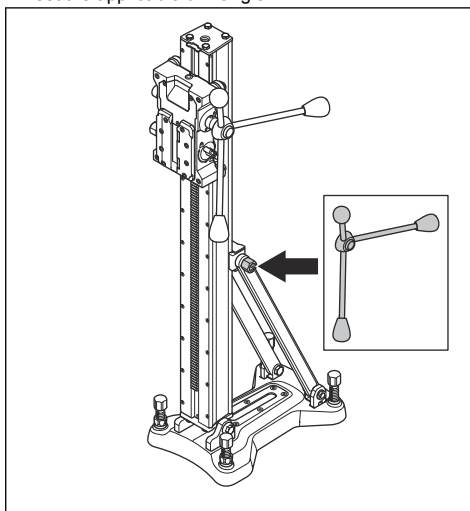


**WARNING:** Make sure end stop is fitted and functional.

1. Read the operator's manual carefully and make sure that you understand the instructions.
2. Keep the work area clean and bright to prevent accidents.
3. Do daily maintenance. Refer to *Daily maintenance of the drill stand on page 10*.
4. Use personal protective equipment. Refer to *Personal protective equipment on page 4*.

### To adjust the angle of the drill column

1. Loosen the lock screw that locks the drill column and set the applicable drill angle.



2. Use the angle indicator for approximate adjustment. If higher precision is necessary, use alternative methods to measure.
3. Tighten the lock screw of the drill column. Use the feed lever. The drill column can be tilted 0-90°.

---

## Maintenance

---

### Introduction



**WARNING:** Read and understand the safety chapter before you do maintenance on the product.



**WARNING:** To prevent injury, disconnect the power cord before you do maintenance.

### Daily maintenance of the drill stand

- Make sure that the nuts and screws are tight.
- Clean the external surface of the drill stand.
- Make sure that the feed lever moves without resistance.

- Make sure that the gears move easily and do not cause a noise.
- Examine the drill column, look for wear or damage.
- Make sure that the drill motor carriage moves easily and that there is no play against the drill column.

### To clean and lubricate the drill stand



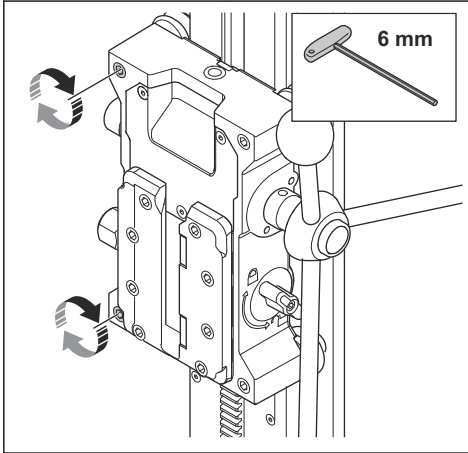
**CAUTION:** If you do not clean the drill stand, it can become damaged.

1. Remove the drill motor.
2. Clean the drill stand with a high pressure washer and then remove remaining water with a dry cloth.
3. Lubricate the moving parts on the drill stand. Apply grease to the contact surfaces to prevent corrosion.

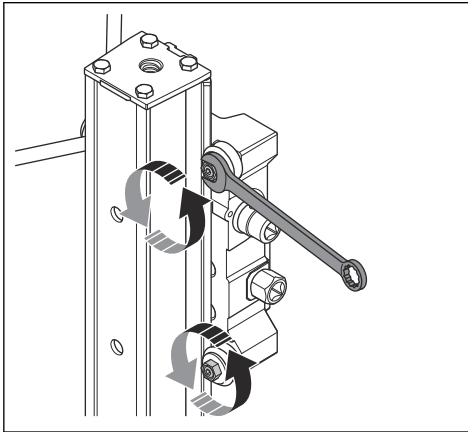
## To adjust the drill motor carriage

If there is distance between the drill column and the drill motor carriage, the drill motor carriage must be adjusted.

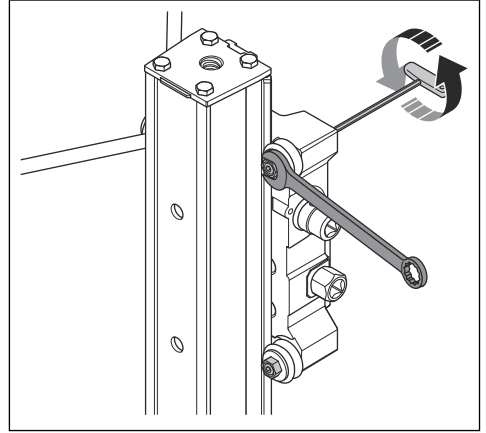
1. Loosen the screws that hold the roller shafts.



2. Adjust the roller shafts. Turn the screw counterclockwise to move the guide wheels in the direction of the drill column.

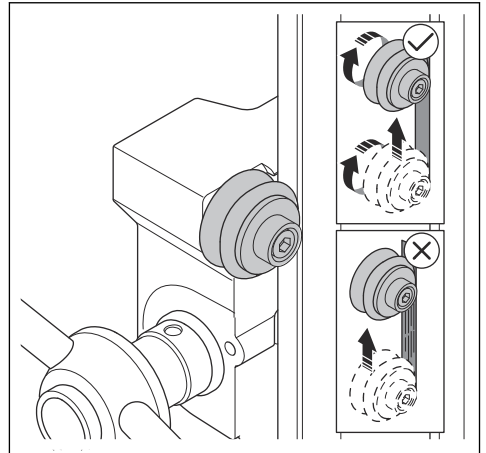


3. Lock the position of the guide wheel with a wrench. Tighten the screw to lock the roller shaft with a hex key.



**Note:** After you have tightened the roller shafts, they must be possible to turn with the feed lever but not by hand.

4. Use the feed lever to move the motor carriage up and down. Make sure that the drill motor carriage moves smoothly on the drill column. The roller shafts must rotate and not move. If it is necessary, adjust the roller shafts again.



## Transportation and storage

### Transportation and storage

- Safely attach the product during transportation to prevent damage and accidents.
- The accessory transport wheels can be used to transport the stand with mounted drill unit.

- Without transport wheels the drill unit needs to be dismantled from the stand during transport as the combined lifting weight is above 25 kg.
- Keep the product in a locked area to prevent access for children or persons that are not approved.

- Keep the drilling machine and stand in dry, frost free conditions.

---

## Technical data

---

### Technical data

Dimensions	
Height, mm / in.	1050 / 41.3
Width, mm / in.	240 / 9.4
Depth, mm / in.	395 / 15.5
Weight, kg / lbs	17 / 37.4
Travel length, mm / in.	700 / 27.5
Max load (on handle), kg / lbs	120 / 264.5
Drill column angle	0-90°

### Maximum drill diameter

Drill motor	Without quick spacer, mm / in.	With quick spacer, mm / in.
DM 650	400 / 15.7	500 / 19.7
DM 280 / 340	370 / 14.6	470 / 18.5

---

## Service

---

### Approved service center

To find your nearest Husqvarna Construction Products approved service center, go to the web site .

---

# EC Declaration of Conformity

---

## EC Declaration of Conformity

We, **Husqvarna AB**, SE-561 82 Huskvarna, Sweden, tel: +46-36-146500, declare on our sole responsibility that the product:

<b>Description</b>	<b>Drill stand</b>
<b>Brand</b>	Husqvarna
<b>Type/Model</b>	DS 500
<b>Identification</b>	Serial numbers dating from 2019 and onwards

complies fully with the following EU directives and regulations:

<b>Directive/Regulation</b>	<b>Description</b>
2006/42/EC	"relating to machinery"

and that the following harmonized standards and/or technical specifications are applied;

EN ISO 12100:2010

EN 12348:2000+A1:2009

EN 62841-3-6:2014+A11:2017

Partille, 2019-02-25



Edvard Gulis

Global R&D Director

Concrete Sawing & Drilling

Husqvarna AB, Construction Division

# Inhalt

Einleitung.....	15	Wartung.....	23
Sicherheit.....	16	Transport und Lagerung.....	25
Montage.....	19	Technische Angaben.....	26
Installation.....	20	Service.....	26
Betrieb.....	23	EG-Konformitätserklärung.....	27

# Einleitung

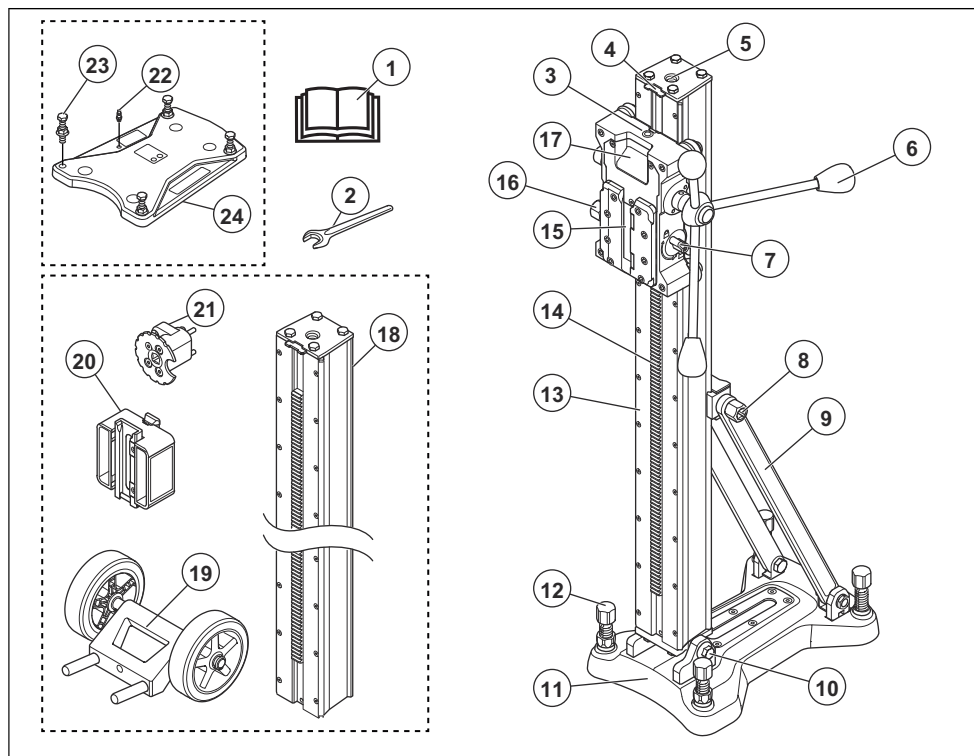
## Produktbeschreibung

Der Husqvarna DS 500 ist ein Bohrständer für Husqvarna-Bohrmotoren.

- Dieser Ständer eignet sich für das Bohren in Decken, Wänden und Böden.
- Der Bohrständer ist stabil und kann für Bohrungen mit einem Durchmesser von bis zu 500 mm verwendet werden.

- Die Säule kann um 0-90° gekippt werden.
- Der Bohrständer verfügt über eine Schnellbefestigung für den Bohrmotor.
- Der Vorschubhebel kann zur Anpassung der Säulenneigung und zum Arretieren der Schnellkupplung verwendet werden.
- Bei diesem Bohrständer kann eine 2 m lange Säule (Zubehör) verwendet werden.

## Produktübersicht



1. Bedienungsanleitung
2. Schraubenschlüssel, 24-32 mm
3. Höhenanzeige
4. Endanschlag
5. Loch für Bundschraube (Zubehör)
6. Vorschubhebel
7. Schlittenverriegelung
8. Feststellschraube, Säulenneigung
9. Stütze
10. Flügelbock
11. Bodenplatte
12. Höhenverstellerschrauben
13. Bohrsäule
14. Zahnstange
15. Verschlussklammer, Schnellkupplung
16. Feststellschraube, Verschlussklammer
17. Schlitten
18. Bohrsäule, 2 m (Zubehör)
19. Transporträder (Zubehör)
20. Adapter, Distanzstück (Zubehör)
21. AD-Halterung (Zubehör)
22. Anschluss für Vakuumpumpe
23. Höhenverstellerschrauben
24. Dichtung, Vakuumansaugung unten

vorsichtig vor, und verwenden Sie das Gerät ordnungsgemäß.



Lesen Sie die Bedienungsanleitung aufmerksam durch und machen Sie sich mit den Anweisungen vertraut, bevor Sie das Gerät verwenden.



Tragen Sie einen zugelassenen Gehörschutz.

**Hinweis:** Andere Symbole/Aufkleber am Gerät beziehen sich auf spezielle Zertifizierungsanforderungen, die in bestimmten Ländern gelten.

## Produkthaftung

Im Sinne der Produkthaftungsgesetze übernehmen wir keine Haftung für Schäden, die unser Gerät verursacht, wenn...

- das Gerät nicht ordnungsgemäß repariert wird.
- das Gerät mit Teilen repariert wird, die nicht vom Hersteller stammen oder nicht vom Hersteller zugelassen sind.
- ein Zubehörteil mit dem Gerät verwendet wird, das nicht vom Hersteller stammt oder nicht vom Hersteller zugelassen ist.
- das Gerät nicht bei einem zugelassenen Service Center oder von einem zugelassenen Fachmann repariert wird.

## Symbole auf dem Gerät



**WARNUNG:** Dieses Gerät kann gefährlich sein und schwere oder tödliche Verletzungen des Bedieners oder anderer Personen verursachen. Gehen Sie

## Sicherheit

### Sicherheitsdefinitionen

Warnungen, Vorsichtsmaßnahmen und Hinweise werden verwendet, um auf besonders wichtige Teile der Bedienungsanleitung hinzuweisen.



**WARNUNG:** Wird verwendet, wenn bei Nichtbeachtung der Anweisungen in diesem Handbuch die Gefahr von Verletzung oder Tod des Bedieners oder anderer Personen besteht.



**ACHTUNG:** Wird verwendet, wenn bei Nichtbeachtung der Anweisungen in diesem Handbuch die Gefahr von Schäden am Gerät, an anderen Materialien oder in der Umgebung besteht.

**Hinweis:** Für weitere Informationen, die in bestimmten Situationen nötig sind.

### Arbeiten Sie stets mit gesundem Menschenverstand!



**WARNUNG:** An der Bauweise des Geräts dürfen ohne vorherige Genehmigung des Herstellers keine Veränderungen vorgenommen werden. Verwenden Sie stets Originalersatzteile. Unzulässige Änderungen und/oder Zubehör können zu schweren oder tödlichen Verletzungen des Benutzers oder anderer Personen führen.

Es ist nicht möglich, hier alle denkbaren Situationen zu beschreiben, die beim Gebrauch einer Bohrmaschine auftreten können. Stets vorsichtig vorgehen und mit gesundem Menschenverstand arbeiten. Vermeiden Sie Situationen, denen Sie sich nicht gewachsen fühlen. Wenn Sie sich nach dem Lesen dieser Anweisungen immer noch unsicher fühlen, wie Sie vorgehen sollen, bitten Sie einen Fachmann um Rat, bevor Sie fortfahren.

Zögern Sie nicht, Ihren Händler anzusprechen, wenn Sie Fragen bezüglich des Gebrauchs des Geräts haben.



Wir sind gerne für Sie da und helfen Ihnen beim optimalen und sicheren Einsatz Ihres Geräts.

Ihr Husqvarna-Händler sollte das Produkt regelmäßig überprüfen und notwendige Einstellungen und Reparaturen vornehmen.

Alle Informationen und Daten dieser Bedienungsanleitung gelten zum Zeitpunkt der Drucklegung.

## Sicherheitshinweise für den Betrieb



**WARNUNG:** Lesen Sie alle für dieses Elektrowerkzeug vorgesehenen Sicherheitshinweise, Anleitungen, Abbildungen und technischen Daten. Wenn Sie die unten stehenden Anweisungen nicht befolgen, kann dies zu elektrischen Schlägen, Brand und/oder schweren Verletzungen führen. Bewahren Sie alle Warnhinweise und Anweisungen für spätere Referenzzwecke auf.



**WARNUNG:** Es besteht immer Verletzungsgefahr bei der Arbeit mit Geräten, die bewegliche Teile enthalten. Verhindern Sie Verletzungen, indem Sie Schutzhandschuhe tragen.

- Benutzen Sie eine persönliche Schutzausrüstung. Tragen Sie stets einen Augenschutz. Schutzausrüstung wie Atemschutzmaske, rutschfeste Sicherheitsschuhe, Schutzhelm und Gehörschutz senkt bei angemessenem Einsatz das Verletzungsrisiko.
- Sorgen Sie bei der Arbeit mit Elektrowerkzeugen dafür, dass sich keine Kinder oder unbefugte Personen in der Nähe befinden. Durch Ablenkungen können Sie die Kontrolle über das Werkzeug verlieren.
- Entfernen Sie alle unerwünschten Materialien aus dem Arbeitsbereich und sorgen Sie für eine gute Beleuchtung, bevor Sie mit der Arbeit beginnen. Ist der Arbeitsbereich nicht gereinigt und nicht ausreichend beleuchtet, steigt das Unfallrisiko.
- Betreiben Sie Elektrowerkzeuge niemals an Orten, an denen Explosionsgefahr besteht, z. B. in der Nähe von entzündlichen Flüssigkeiten, Gasen oder Staubansammlungen. Elektrowerkzeuge können Funkenbildung verursachen und somit Staub oder Dämpfe entzünden.
- Plötzliches Auftreten von Personen und Tieren kann dazu führen, dass Sie die Kontrolle über das Gerät verlieren. Aus diesem Grund sollten Sie immer konzentriert und fokussiert arbeiten.
- Verwenden Sie das Gerät nicht bei Nebel, Regen, starkem Wind, starker Kälte oder sonstigen Schlechtwetterbedingungen. Bei schlechtem Wetter könnten sich gefährliche Bedingungen (z. B. rutschige Bodenflächen) einstellen.
- Untersuchen Sie den Arbeitsbereich vor dem Gebrauch des Geräts. Achten Sie auf Hindernisse, über die Sie plötzlich stolpern und sich dadurch verletzen könnten. Stellen Sie sicher, dass sich während des Betriebs keine Bestandteile des Materials lösen und herunterfallen bzw. Verletzungen verursachen können.
- Überprüfen Sie immer die Rückseite der Oberfläche, wo der Bohreinsatz durch die Oberfläche dringt. Sichern Sie Ihren Arbeitsbereich, indem Sie ihn kennzeichnen. Stellen Sie sicher, dass es zu keinen Verletzungen von Personen kommt und dass kein Material beschädigt wird.
- Bleiben Sie aufmerksam, achten Sie auf das, was Sie tun, und setzen Sie gesunden Menschenverstand ein, wenn Sie mit Elektrowerkzeugen arbeiten. Benutzen Sie keine Elektrowerkzeuge, wenn Sie müde sind oder unter Einfluss von Drogen, Alkohol oder Medikamenten stehen. Bei der Arbeit mit Elektrowerkzeugen können bereits kurze Phasen der Unaufmerksamkeit zu schweren Verletzungen führen.
- Vermeiden Sie ein versehentliches Starten. Achten Sie darauf, dass sich der Schalter in der Aus-Stellung befindet, bevor Sie das Elektrowerkzeug an die Stromversorgung und/oder den Akku anschließen oder es hochheben oder herumtragen. Durch Herumtragen von Elektrowerkzeugen mit dem Finger am Schalter und das Einstecken des Steckers bei betätigtem Schalter erhöht sich das Unfallrisiko.
- Das Gerät kann Objekte umherschleudern und dadurch Verletzungen des Bedieners hervorrufen. Entfernen Sie alle Einstell- und sonstigen Schlüssel, bevor Sie das Gerät einschalten.
- Lassen Sie nicht zu, dass Sie wegen Vertrautheit durch häufige Verwendung der Werkzeuge selbstgefällig werden und die Sicherheitsgrundsätze der Werkzeuge ignorieren. Eine achtlose Handlung kann im Bruchteil einer Sekunde zu schweren Verletzungen führen.
- Stellen Sie sicher, dass alle Personen, die das Gerät bedienen, die Betriebsanleitung gelesen und deren Inhalt verstanden haben.
- Kleiden Sie sich richtig. Tragen Sie niemals lose sitzende Kleidung oder Schmuck. Halten Sie Haar und Kleidung von beweglichen Teilen fern. Locker sitzende Kleidung, Schmuck oder langes Haar kann von beweglichen Teilen erfasst werden.
- Gefährliche Unfälle können passieren, wenn der Betonbohrkern im Bohrbit bleibt und der Bohrmotor vom Boden oder von der Wand gezogen wird.
- Halten Sie stets Abstand zum Bohrbit, wenn der Motor läuft.
- Stellen Sie außerdem sicher, dass sich keine Versorgungsleitungen im Bohrbereich befinden.
- Entfernen Sie sich nicht vom Gerät, wenn der Motor eingeschaltet ist.
- Sorgen Sie für einen festen Stand. Achten Sie jederzeit darauf, sicher zu stehen und das

Gleichgewicht zu bewahren. Dadurch haben Sie das Elektrowerkzeug in unerwarteten Situationen besser im Griff.

- Stellen Sie sicher, dass immer eine weitere Person in der Nähe ist, wenn Sie das Gerät verwenden. So können Sie bei einem Unfall gegebenenfalls Hilfe erhalten.
- Benutzen Sie kein Gerät mit defekter Sicherheitsausrüstung.
- Führen Sie alle Sicherheitskontrollen, Wartungen und Servicemaßnahmen durch, die in dieser Betriebsanleitung angegeben sind. Einige Wartungs- und Servicemaßnahmen dürfen nur von autorisierten Mitarbeitern durchgeführt werden. Siehe Abschnitt *Sicherheitsvorrichtungen am Gerät auf Seite 18*
- Kontrollen und/oder Wartungsarbeiten sind bei abgeschaltetem Motor und von der Stromquelle abgezogenem Stecker durchzuführen.
- Verwenden Sie kein Gerät, das modifiziert wurde und nicht mehr den Werkspezifikationen entspricht.
- Trennen Sie das Elektrowerkzeug von der Stromversorgung bzw. entfernen Sie den Akku, bevor Sie Einstellungen vornehmen, Zubehörteile austauschen oder das Elektrowerkzeug verstauen. Solche präventiven Sicherheitsmaßnahmen verhindern den unbeabsichtigten Start des Elektrowerkzeugs.
- Halten Sie die Griffe und Oberflächen trocken, sauber und frei von Öl und Fett. Rutschige Griffe und Oberflächen verhindern das sichere Arbeiten mit dem und die Kontrolle über das Werkzeug in unerwarteten Situationen.
- Vermeiden Sie eine Überlastung des Geräts. Bei Überlastung kann das Gerät beschädigt werden.
- Halten Sie alle Teile in einwandfreiem Zustand und stellen Sie sicher, dass alle Befestigungen korrekt festgezogen sind.

- Überprüfen Sie regelmäßig den Zustand der persönlichen Schutzausrüstung.
- Tragen Sie zugelassene Schutzhandschuhe.
- Tragen Sie Schutzhandschuhe aus Gummi, um Hautreizungen von feuchtem Beton zu verhindern.
- Verwenden Sie einen zugelassenen Schutzhelm.
- Tragen Sie stets einen zugelassenen Gehörschutz beim Arbeiten mit dem Gerät. Lärmbelastung über einen längeren Zeitraum kann zu lärmbedingten Hörschäden führen.
- Das Gerät verursacht Staubbildung und Dämpfe, die schlecht für Ihre Gesundheit sind. Tragen Sie einen zugelassenen Atemschutz.
- Vergewissern Sie sich, dass Sie einen Erste-Hilfe-Kasten griffbereit haben.
- Beim Arbeiten mit dem Gerät können Funken entstehen. Sorgen Sie dafür, dass Sie einen Feuerlöscher griffbereit haben.
- Tragen Sie keine lose sitzende Kleidung, Schmuck oder andere Gegenstände, die sich in beweglichen Teilen verfangen können. Binden Sie Ihre Haare sicherheitshalber zusammen, sodass sie nicht über Ihre Schulter fallen.

## Sicherheitsvorrichtungen am Gerät

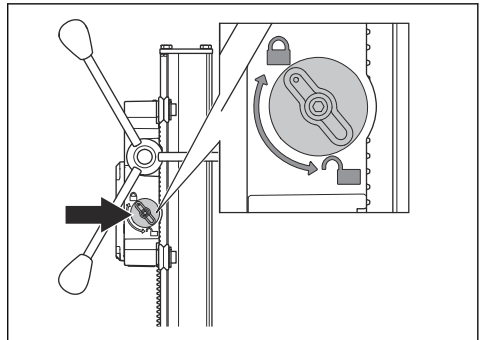


**WARNUNG:** Lesen Sie die folgenden Warnhinweise, bevor Sie das Gerät benutzen.

- Benutzen Sie kein Gerät mit defekten Sicherheitsvorrichtungen.
- Führen Sie regelmäßig eine Überprüfung der Sicherheitsvorrichtungen durch. Wenn die Sicherheitsvorrichtungen defekt sind, wenden Sie sich an Ihre Husqvarna-Servicewerkstatt.

## So kontrollieren Sie die Schlittenverriegelung

1. Drehen Sie den Knopf, um den Motorschlitten zu verriegeln.



2. Stellen Sie manuell sicher, dass der Schlitten an der Bohrsäule arretiert ist.

## Persönliche Schutzausrüstung

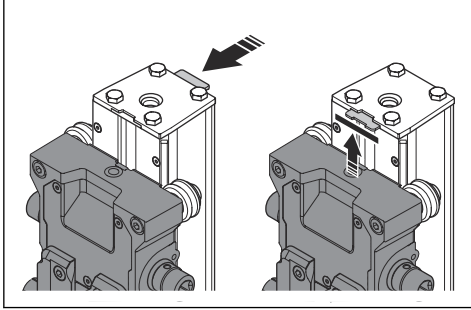


**WARNUNG:** Lesen Sie die folgenden Warnhinweise, bevor Sie das Gerät benutzen.

- Verwenden Sie immer geeignete persönliche Schutzausrüstung bei der Benutzung des Geräts. Das Tragen persönlicher Schutzausrüstung schließt das Risiko von Verletzungen nicht aus. Das Tragen persönlicher Schutzausrüstung verringert das Ausmaß der Verletzungen bei einem Unfall. Lassen Sie sich von Ihrem Händler bei der Auswahl der richtigen Ausrüstung unterstützen.
- Tragen Sie einen zugelassenen Augenschutz beim Arbeiten mit dem Gerät.
- Tragen Sie strapazierfähige, rutschfeste Stiefel mit Stahlkappen.
- Tragen Sie Kleidung, die eng anliegt, Sie aber nicht in Ihren Bewegungen behindert.

## So überprüfen Sie den Endanschlag der Bohrsäule

1. Schieben Sie die Anschlagplatte in die richtige Position.



2. Achten Sie darauf, dass der Schlitten des Bohrmotors anhält, wenn er die Anschlagplatte berührt.

## Sicherheitshinweise für die Wartung



**WARNUNG:** Kontrollen und/oder Wartungsarbeiten sind bei abgeschaltetem Motor und abgezogenem Stecker durchzuführen.

- Warten Sie das Gerät und das Zubehör. Prüfen Sie, ob bewegliche Teile falsch eingestellt sind oder klemmen, ob Teile gebrochen oder so weit beschädigt sind, dass der Betrieb des Geräts beeinträchtigt werden kann. Bei Beschädigungen lassen Sie das Gerät reparieren, bevor Sie es benutzen.
- Lassen Sie Ihr Gerät von einem qualifizierten Husqvarna-Fachhändler reparieren und bestehen Sie darauf, dass nur Originalersatzteile dafür verwendet werden.

## Montage

### Einleitung

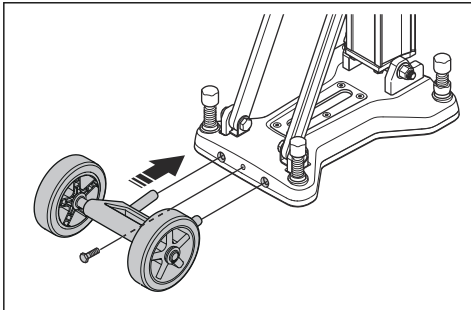
In diesem Abschnitt erfahren Sie, wie das Gerät zusammengebaut und eingestellt wird.



**WARNUNG:** Lesen Sie vor dem Zusammenbau des Geräts das Kapitel zu Gerätesicherheit und die Montageanleitung.

### Anbringen des Rad-Sets (Zubehör)

1. Befestigen Sie das Rad-Set auf der Rückseite der unteren Platte.



2. Ziehen Sie die Schraube an.

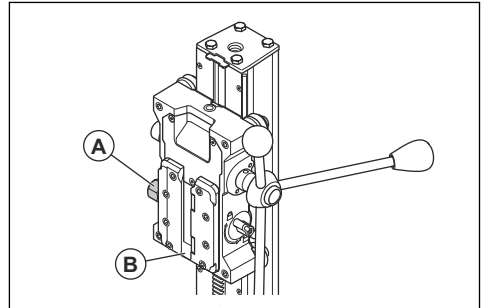
### Anbringen des Bohrmotors



**WARNUNG:** Ziehen Sie vor Reinigung, Wartung oder Montage immer den Stecker aus der Steckdose.

1. Entsperren Sie den Schlitten des Bohrmotors (A).

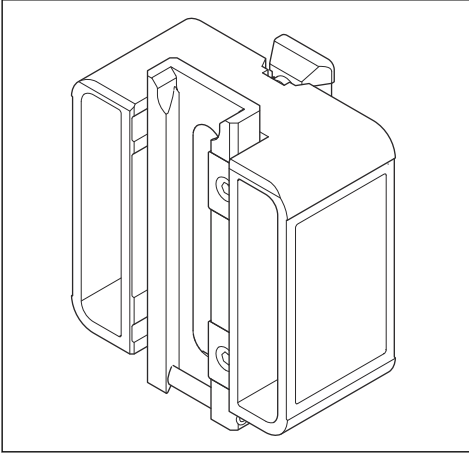
2. Befestigen Sie den Bohrmotor in der Führung (B) auf dem Schlitten des Bohrmotors.
3. Verriegeln Sie den Schlitten des Bohrmotors (A).



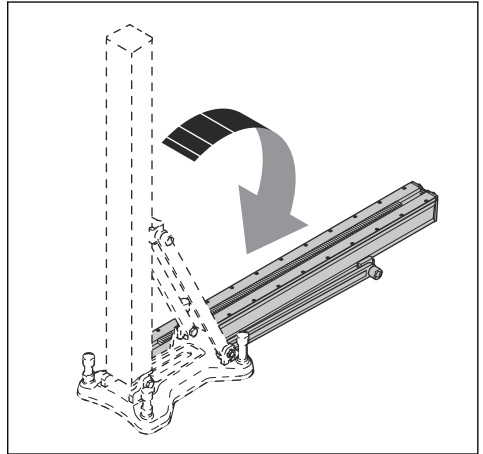
### Distanzstück (Zubehör)

Verwenden Sie ein Distanzstück für das Bohren von Löchern, die einen großen Durchmesser haben. Zur Auswahl des richtigen Distanzstücks siehe *Maximaler Durchmesser einer Bohrung auf Seite 26*. Montieren

Sie das Distanzstück auf den Bohrmotor und bringen Sie anschließend den Bohrmotor am Bohrständers an.

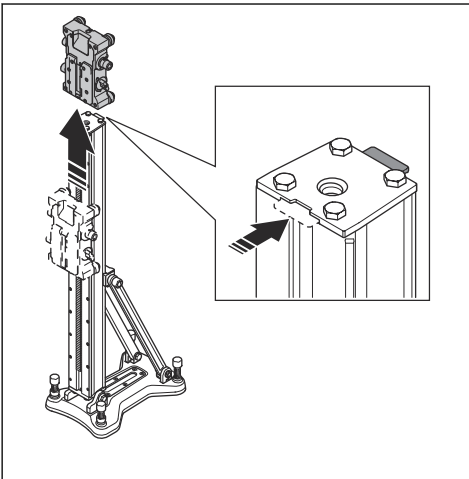


2. Klappen Sie die Säule des Bohrständers ganz nach hinten. Siehe *So stellen Sie den Winkel der Bohrsäule ein auf Seite 23*.

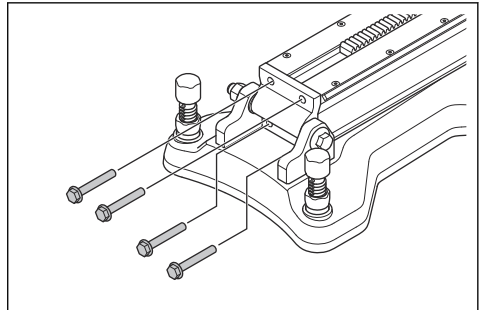


## Ersetzen der Säule des Bohrständers (Zubehör)

1. Drücken Sie die Anschlagplatte in die geöffnete Position. Entfernen Sie den Schlitten des Bohrmotors.



3. Entfernen Sie die 4 Schrauben vom Flügelbock.



4. Entfernen Sie die Säule des Bohrständers.

5. Montieren Sie die Säule des Bohrständers in umgekehrter Reihenfolge.

## Installation

### Vorgehensweise bei der Bohrständers-Installation

Es gibt 3 Verfahren zum Anbringen des Bohrständers vor dem Bohren:

- Mit einer Klemmspindel.

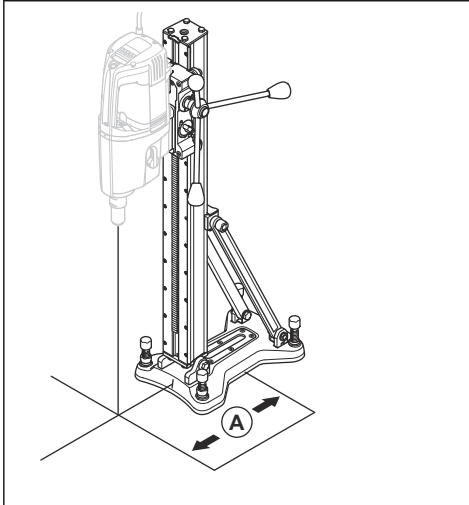
- Mit einer Vakuumplatte.
- Mit einer Stange, die ein Gewinde, eine Unterlegscheibe und eine Sicherungsmutter hat

## So montieren Sie den Bohrständer mit einer Klemmspindel

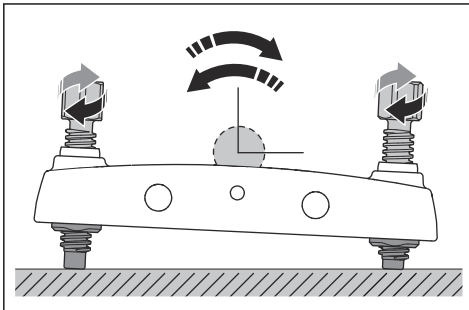


**WARNUNG:** Beim Bohren in Decken und Wände dürfen nur Expander oder Anker verwendet werden, die für Oberflächen unter Zugbelastung geeignet sind. Verwenden Sie nur Expander oder Anker, die für die jeweilige Anwendung zugelassen wurden.

1. Bohren Sie ein Loch für die Klemmspindel. Siehe *Befestigen der Klemmspindel auf Seite 21*. Messen Sie einen Abstand (A) von 335 mm (13,2 Zoll) von der Mitte des Lochs, das Sie bohren wollen. Wenn Sie das Distanzstück (Zubehör) verwenden, ändert sich der Abstand. Siehe *Distanzstück (Zubehör) auf Seite 19*.

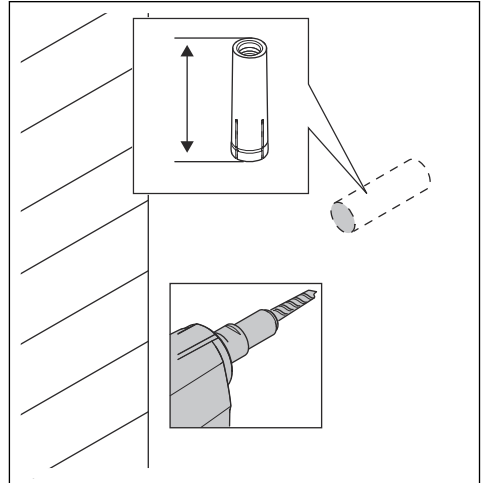


2. Befestigen Sie die untere Platte mit einer Klemmspindel.
3. Vergewissern Sie sich, dass der Bohrständer richtig befestigt ist.
4. Stellen Sie ggf. die untere Platte passend ein. Verwenden Sie die Stellschrauben zum Einstellen der unteren Platte an die Oberfläche.

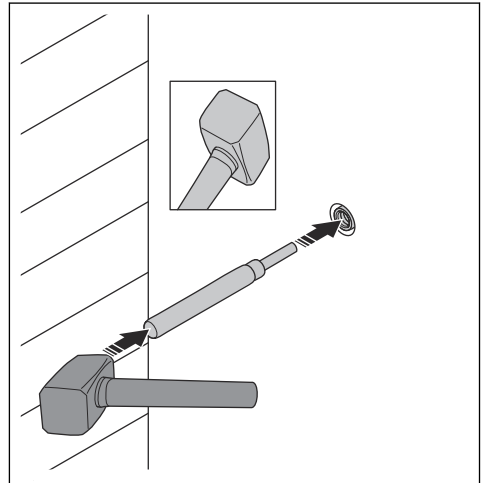


## Befestigen der Klemmspindel

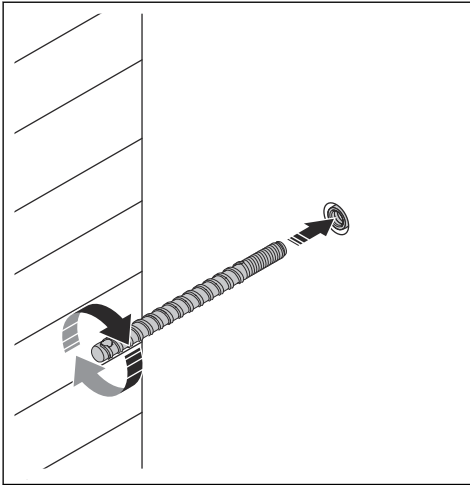
1. Bohren Sie ein Loch für die Klemmspindel. Achten Sie auf eine ausreichende Tiefe. Der Sockel muss sich unterhalb der Oberfläche befinden.



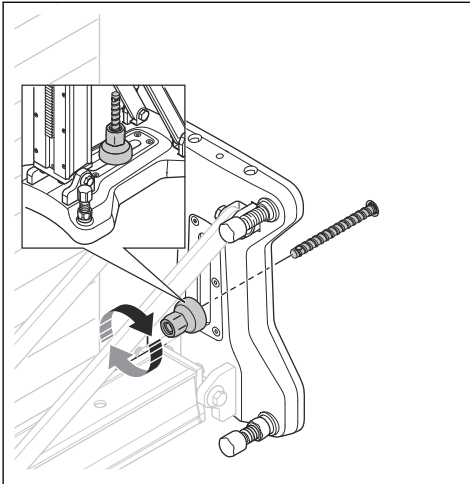
2. Verwenden Sie den Dorn und einen Hammer, um die Klemmspindel zu montieren.



3. Montieren Sie die Ankerschraube.



4. Montieren Sie den Bohrständer mit der Mutter.



### So montieren Sie das Gerät mit einer Husqvarna Vakuumplatte



**WARNUNG:** Verwenden Sie das Gerät beim Bohren in Wände oder Decken nicht in Kombination mit der Vakuumplatte.

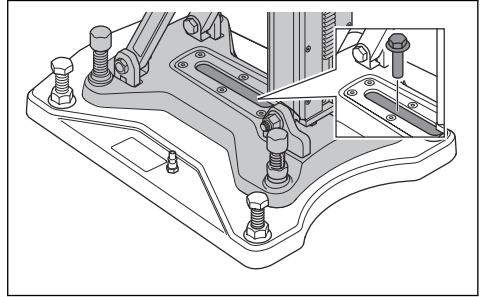


**WARNUNG:** Die Aufstandsfläche muss eben und von guter Qualität sein. Das Gerät kann sich lösen, wenn die Vakuumplatte nicht komplett dicht an der Oberfläche anliegt.

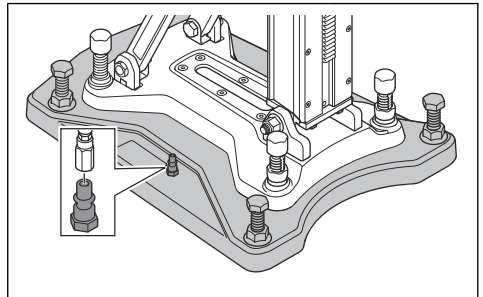


**WARNUNG:** Die Verwendung einer Vakuumplatte wird nur zusammen mit den folgenden Husqvarna Bohrmotoren empfohlen: DM 200, DM 220, DM 230, DM 280, DM 340, DM 400. Die Verwendung anderer Bohrmotoren kann dazu führen, dass sich das Gerät löst.

1. Befestigen Sie das Gerät mit der Schraube an der Vakuumplatte.



2. Lösen Sie die Höhenverstellerschrauben. Sie müssen sich über der Unterseite der Vakuumplatte befinden.
3. Schließen Sie den Vakuumschlauch an, und starten Sie die Pumpe.



**ACHTUNG:** Der Mindestdruck muss  $-0,85$  bar betragen, damit die Vakuumplatte vollständig dicht auf der Oberfläche haftet.

4. Ziehen Sie die Schrauben an, bis Sie einen Druck auf der Schraube wahrnehmen.



**WARNUNG:** Die Höhenverstellerschrauben müssen die Aufstandsfläche berühren, wenn Sie die Vakuumplatte verwenden. Ist dies nicht der Fall, kann sich die Vakuumplatte lösen.

### So befestigen Sie den Bohrständer mit einer Stange mit Gewinde

Verwenden Sie eine durchgehende Stange, wenn es nicht möglich ist, den Bohrständer mit einer

Klemmspindel an der Wand oder Decke zu befestigen.  
Ziehen Sie die durchgehende Stange mit  
Unterlegscheiben und Muttern an.

---

## Betrieb

---

### Vor Inbetriebnahme des Geräts



**WARNUNG:** Diese Maschine ist für das Bohren in Beton, Ziegel und unterschiedlichen Steinmaterialien vorgesehen. Jede andere Verwendung ist nicht zulässig.



**WARNUNG:** Stellen Sie vor dem Bohren sicher, dass alle Sicherungsschrauben fest angezogen sind. Es kann zu schweren Unfällen kommen, wenn der Betonbohrkern im Bohrbit bleibt, wenn der Bohrmotor/Bohrer aus dem Boden, der Wand oder der Decke gezogen wird.



**WARNUNG:** Verwenden Sie beim Bohren in Decken immer einen für Ihren Bohrmotor zugelassenen Wassersammler oder einen hydraulischen Bohrmotor. Es besteht die Gefahr, dass die Bohrmaschine und der Ständer unter Strom gesetzt werden, wenn Wasser in die Maschine eindringt.

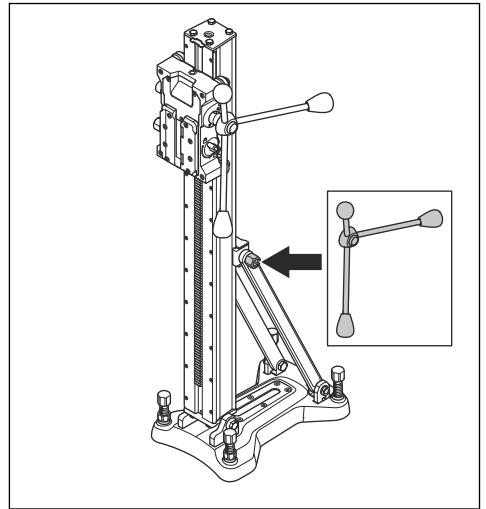


**WARNUNG:** Stellen Sie sicher, dass der Endanschlag montiert und funktionsfähig ist.

1. Lesen Sie die Bedienungsanleitung sorgfältig durch, und vergewissern Sie sich, dass Sie die Anweisungen verstehen.
2. Achten Sie auf einen sauberen und hellen Arbeitsbereich, um Unfälle zu vermeiden.
3. Warten Sie das Gerät täglich. Siehe *Tägliche Wartung des Bohrständers auf Seite 23*.
4. Tragen Sie eine persönliche Schutzausrüstung. Siehe *Persönliche Schutzausrüstung auf Seite 18*.

### So stellen Sie den Winkel der Bohrsäule ein

1. Lösen Sie die Feststellschraube, die die Bohrsäule arretiert, und stellen Sie die Säule auf den gewünschten Bohrwinkel ein.



2. Verwenden Sie den Winkelmesser für die Grobeinstellung. Wenn eine höhere Präzision erforderlich ist, verwenden Sie alternative Methoden zur Messung.
3. Ziehen Sie die Feststellschraube der Bohrsäule an. Verwenden Sie den Vorschubhebel. Die Säule kann um 0-90° gekippt werden.

---

## Wartung

---

### Einleitung



**WARNUNG:** Lesen Sie vor dem Warten des Geräts das Kapitel über Sicherheit, und machen Sie sich damit vertraut.



**WARNUNG:** Um Verletzungen zu vermeiden, trennen Sie das Netzkabel ab, bevor Sie Wartungsarbeiten durchführen.

### Tägliche Wartung des Bohrständers

- Vergewissern Sie sich, dass alle Muttern und Schrauben fest angezogen sind.
- Reinigen Sie die Außenseite des Bohrständers.
- Stellen Sie sicher, dass sich der Vorschubhebel ohne Widerstand bewegen lässt.
- Prüfen Sie, ob die Getriebe leicht und geräuschfrei funktionieren.
- Untersuchen Sie die Bohrsäule auf Verschleiß oder Beschädigungen.

- Achten Sie dabei darauf, dass sich der Schlitten des Bohrmotors leicht bewegen lässt und dass er kein Spiel gegen die Bohrsäule hat.

## Reinigung und Schmieren des Bohrständers



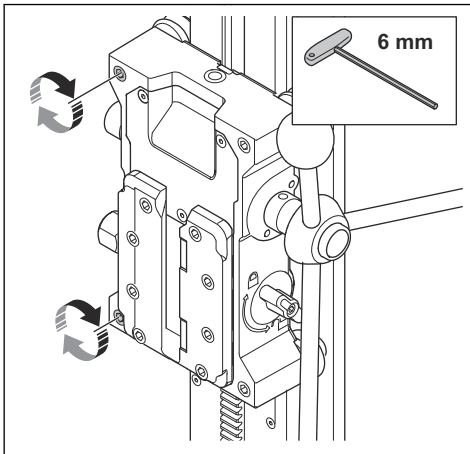
**ACHTUNG:** Wird der Bohrständer nicht gereinigt, kann dies zu Beschädigungen führen.

1. Entfernen Sie den Bohrmotor.
2. Reinigen Sie den Bohrständer mit einem Hochdruckreiniger und entfernen Sie dann verbleibendes Wasser mit einem trockenen Tuch.
3. Schmieren Sie die beweglichen Teile auf dem Bohrständer. Fetten Sie die Kontaktflächen ein, um Korrosion zu verhindern.

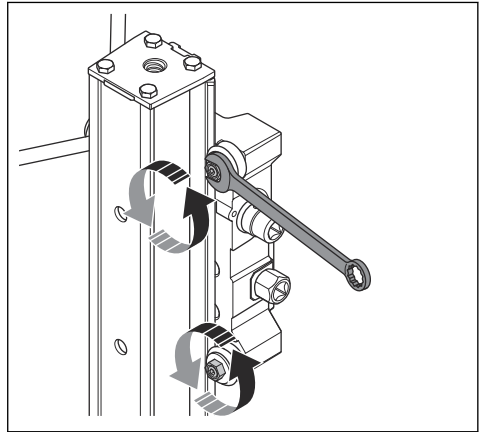
## Einstellen des Schlittens des Bohrmotors

Befindet sich ein Abstand zwischen der Bohrsäule und dem Schlitten des Bohrmotors, muss der Schlitten angepasst werden.

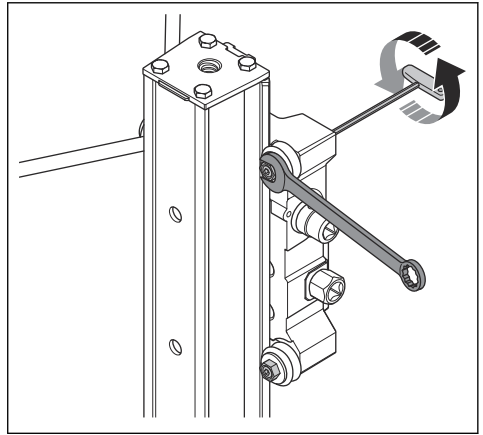
1. Entfernen Sie die Befestigungsschrauben der Rollenwellen.



2. Stellen Sie die Rollenwellen passend ein. Drehen Sie die Schraube gegen den Uhrzeigersinn, um die Führungsräder in Richtung der Bohrsäule zu bewegen.



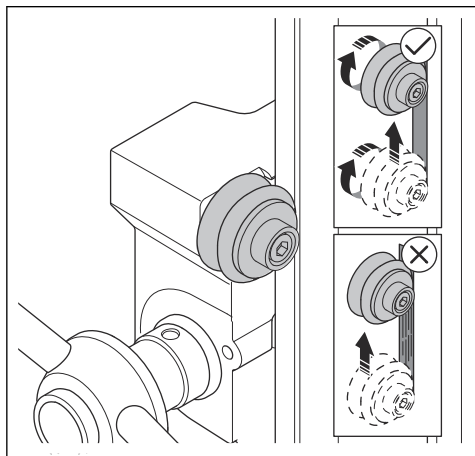
3. Sichern Sie die Position der Führungsräder mit einem Schraubenschlüssel. Zum Arretieren der Rollenwelle ziehen Sie die Schraube mit einem Sechskantschlüssel an.



**Hinweis:** Nach dem Feststellen der Rollenwellen sollten sich diese mit dem Vorschubhebel, jedoch nicht von Hand drehen lassen.



4. Verwenden Sie den Vorschubhebel, um den Motorschlitten nach oben und unten zu bewegen. Achten Sie dabei darauf, dass sich der Bohrmotor gleichmäßig auf der Bohrsäule bewegt. Die Rollenwellen müssen rotieren und dürfen sich nicht bewegen. Falls notwendig, passen Sie die Rollenwellen nochmals an.



---

## Transport und Lagerung

---

### Transport und Lagerung

- Sichern Sie das Gerät während des Transports, um Schäden und Unfälle zu vermeiden.
- Mit den zusätzlichen Transporträdern kann der Ständer mit montierter Bohreinheit transportiert werden.
- Ohne Transporträder muss die Bohreinheit während des Transports vom Ständer entfernt werden, da das Gesamtgewicht über 25 kg beträgt.
- Bewahren Sie das Gerät in einem verschlossenen Bereich auf, um einen unerlaubten Zugriff durch Kinder oder andere nicht befugte Personen zu verhindern.
- Lagern Sie die Bohrmaschine und den Ständer an einem trockenen, frostfreien Ort.

---

## Technische Angaben

---

### Technische Angaben

Maße	
Höhe, mm / Zoll	1050 / 41,3
Breite, mm / Zoll	240 / 9,4
Tiefe, mm / Zoll	395 / 15,5
Gewicht, kg / Pfund	17 / 37,4
Verfahrweg, mm / Zoll	700 / 27,5
Max. Last (auf dem Griff), kg / Pfund	120 / 264,5
Bohrsäulen-Winkel	0-90°

### Maximaler Durchmesser einer Bohrung

Bohrmotor	Ohne Distanzstück, mm / Zoll	Mit Distanzstück, mm / Zoll
DM 650	400 / 15,7	500 / 19,7
DM 280 / 340	370 / 14,6	470 / 18,5

---

## Service

---

### Anerkanntes Service-Zentrum

Um ein anerkanntes Husqvarna Construction Products-Service-Zentrum in Ihrer Nähe zu finden, besuchen Sie die Webseite .

---

# EG-Konformitätserklärung

---

## EG-Konformitätserklärung

Die **Husqvarna AB**, SE-561 82 Huskvarna, Schweden,  
Tel.: +46-36-146500, erklärt in alleiniger Verantwortung,  
dass das Gerät:

<b>Beschreibung</b>	<b>Bohrständer</b>
<b>Marke</b>	Husqvarna
<b>Typ/Modell</b>	DS 500
<b>Identifizierung</b>	Seriennummern ab 2019

die folgenden EU-Richtlinien und -Vorschriften erfüllt:

<b>Richtlinie/Vorschrift</b>	<b>Beschreibung</b>
2006/42/EG	„Maschinenrichtlinie“

und dass die folgenden harmonisierten Normen und/  
oder technischen Daten angewendet werden;

EN ISO 12100:2010

EN 12348:2000+A1:2009

EN 62841-3-6:2014+A11:2017

Partille, 2019-02-25



Edvard Gulis

Global R&D Director

Schneiden und Bohren von Beton

Husqvarna AB, Construction Division

# Sommaire

Introduction.....	28	Entretien.....	36
Sécurité.....	29	Transport et stockage.....	38
Montage.....	32	Caractéristiques techniques.....	39
Installation.....	33	Entretien.....	39
Utilisation.....	36	Déclaration de conformité CE.....	40

## Introduction

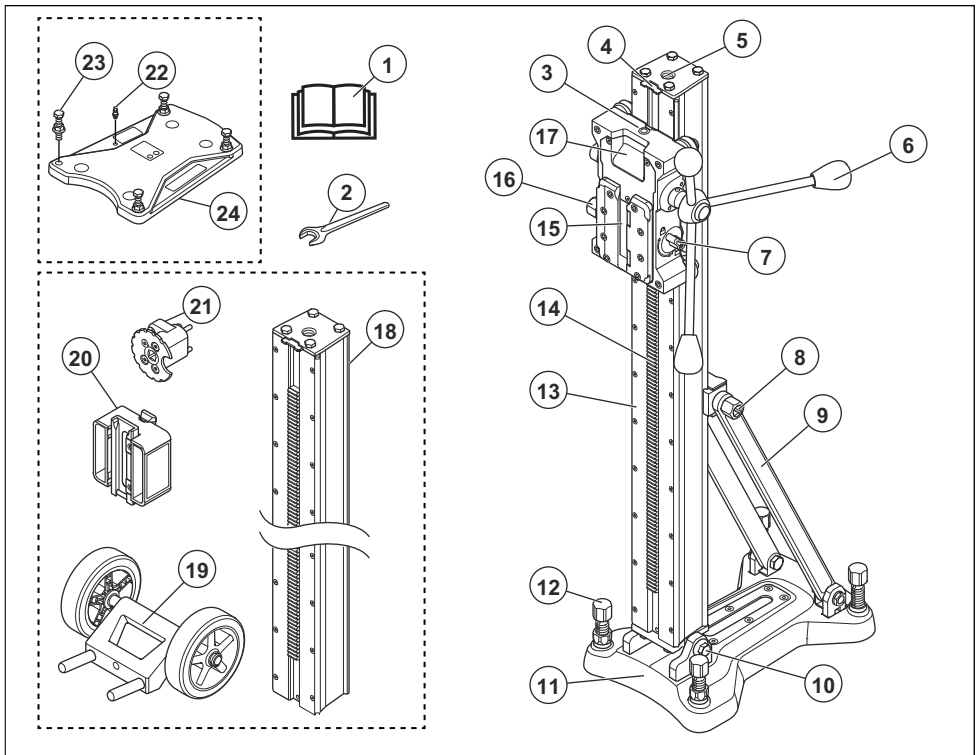
### Description du produit

Le Husqvarna DS 500 est un support de forage pour les moteurs de forage Husqvarna.

- Ce support est destiné au forage dans les plafonds, les murs et les sols.
- Le support de forage est stable et peut être utilisé pour percer des trous d'un diamètre maximum de 500 mm.

- La colonne peut être inclinée de 0 à 90°.
- Le support de forage est équipé d'une plaque de montage rapide pour le moteur de forage.
- Le levier d'alimentation peut être utilisé pour ajuster l'inclinaison souhaitée de la colonne et verrouiller le support rapide.
- Il est possible d'utiliser une colonne de 2 m de long (accessoire) sur le support de forage.

### Aperçu du produit



1. Manuel de l'opérateur
2. Clé, 24-32 mm
3. Indicateur de niveau
4. Butée
5. Orifice pour vis de calage (accessoire)
6. Levier d'alimentation
7. Verrou du chariot
8. Vis de blocage, inclinaison de la colonne
9. Assistance
10. Charnière
11. Plaque inférieure
12. Vis de mise à niveau
13. Colonne de forage
14. Crémaillère
15. Collier de blocage, montage rapide
16. Vis de blocage, collier de blocage
17. Chariot
18. Colonne de forage, 2 m (accessoire)
19. Roues de transport (accessoire)
20. Adaptateur, entretoise rapide (accessoire)
21. Support AD (accessoire)
22. Raccord pour pompe à vide
23. Vis de mise à niveau
24. Joint, aspiration de mise sous vide inférieure

voire mortelles, à l'opérateur ou à d'autres personnes. Soyez prudent et utilisez le produit correctement.



Lisez le manuel d'utilisation et assurez-vous de bien comprendre les instructions avant d'utiliser ce produit.



Utilisez des protège-oreilles agréés.

**Remarque:** les autres symboles/autocollants présents sur le produit concernent des exigences de certification spécifiques à certains marchés.

## Responsabilité

Conformément à la loi sur la responsabilité du fait des produits, nous déclinons toute responsabilité pour tout dommage causé par notre produit si :

- le produit n'est pas correctement réparé ;
- le produit est réparé avec des pièces qui ne proviennent pas du fabricant ou qui ne sont pas homologuées par le fabricant ;
- le produit est équipé d'un accessoire qui ne provient pas du fabricant ou qui n'est pas homologué par le fabricant ;
- le produit n'est pas réparé par un centre d'entretien agréé ou par une autorité homologuée.

## Symboles concernant le produit



**AVERTISSEMENT :** ce produit peut être dangereux et causer des blessures graves,

## Sécurité

### Définitions de sécurité

Des avertissements, des recommandations et des remarques sont utilisés pour souligner des parties spécialement importantes du manuel.



**AVERTISSEMENT:** Symbole utilisé en cas de risque de blessures ou de mort pour l'opérateur ou les personnes à proximité si les instructions du manuel ne sont pas respectées.



**REMARQUE:** Symbole utilisé en cas de risque de dommages pour le produit, d'autres matériaux ou les environs si les instructions du manuel ne sont pas respectées.

**Remarque:** Symbole utilisé pour donner des informations supplémentaires pour une situation donnée.

### Utilisez toujours votre bon sens



**AVERTISSEMENT:** Vous ne devez en aucun cas modifier la conception d'origine de la machine sans l'approbation du fabricant. Utilisez toujours les pièces de rechange d'origine. Toute modification et/ou accessoire non autorisé peut entraîner des blessures graves, voire mortelles à l'utilisateur ou à d'autres personnes présentes.

Il est impossible de prévoir toutes les situations que vous pouvez rencontrer lorsque vous utilisez une foreuse. Soyez toujours prudent et utilisez votre bon sens. Évitez les situations que vous n'êtes pas sûr de maîtriser. Si, après avoir lu ces instructions, vous n'êtes toujours pas sûr de la procédure à suivre, demandez conseil à un expert avant de poursuivre.

N'hésitez pas à prendre contact avec votre revendeur si vous avez des questions sur l'utilisation de la machine. Nous sommes à votre disposition et vous conseillerons

avec plaisir pour vous aider à utiliser votre machine en toute sécurité et de façon efficace.

Laissez à votre revendeur Husqvarna le soin de contrôler régulièrement la foreuse et d'effectuer les réglages et les réparations nécessaires.

Toutes les informations et toutes les données indiquées dans ce manuel d'utilisation étaient valables à la date à laquelle ce manuel a été porté à l'impression.

## Consignes de sécurité pour le fonctionnement



**AVERTISSEMENT:** Lisez l'ensemble des avertissements de sécurité, des consignes, des illustrations et des spécifications fournies avec cet outil électrique. Le non-respect des consignes énumérées ci-dessous peut être à l'origine d'un choc électrique, d'un incendie et/ou de blessures graves. Conservez toutes ces consignes et instructions pour toute consultation ultérieure.



**AVERTISSEMENT:** Il y a toujours un risque de blessures en cas d'utilisation de produits comprenant des pièces mobiles. Portez des gants de protection afin d'éviter les blessures corporelles.

- Utilisez un équipement de protection personnelle. Travaillez toujours avec des lunettes de protection. Les équipements de protection tels que le masque anti-poussière, les chaussures de sécurité antidérapantes, le casque ou les protège-oreilles utilisés dans les conditions qui conviennent réduisent les blessures corporelles.
- Tenez les enfants et les spectateurs à distance lorsque la machine à usiner est en marche. Un moment d'inattention peut vous faire perdre le contrôle.
- Retirez tous les matériaux indésirables de la zone de travail et veillez à ce que celle-ci soit correctement éclairée avant de commencer. Si les zones ne sont pas nettoyées ou éclairées, les risques d'accident augmentent.
- N'utilisez pas de machines électriques dans des atmosphères explosives contenant des liquides, des gaz ou des poussières inflammables par exemple. Les outils électriques peuvent provoquer des étincelles susceptibles d'enflammer les poussières ou les vapeurs.
- L'apparition soudaine de personnes et d'animaux risque d'affecter votre contrôle du produit. En conséquence, veillez à rester toujours concentré sur votre tâche et à ne pas vous laisser distraire.
- N'utilisez pas le produit par mauvais temps, par exemple en cas de brouillard, pluie, vents violents, froid intense ou autres conditions climatiques équivalentes. Le mauvais temps peut créer des conditions de travail dangereuses, telles que des surfaces glissantes.
- Examinez la zone de travail avant d'utiliser le produit. Soyez attentif à la présence d'obstacles susceptibles de se déplacer de manière inopinée et d'être source de danger. Assurez-vous qu'aucun matériau ne peut se détacher et tomber ou provoquer des blessures pendant l'utilisation.
- Examinez toujours l'arrière de la surface que doit traverser le foret. Sécurisez la zone de travail et placez un repère pour la matérialiser. Assurez-vous que personne ne risque d'être blessé et que le matériel ne risque pas d'être endommagé.
- Restez attentif, regardez ce que vous faites et ayez recours à votre bon sens lorsque vous utilisez un outil électrique. N'utilisez pas de machine à usiner si vous êtes fatigué ou si vous êtes sous l'emprise de drogues, de l'alcool ou de médicaments. Un moment d'inattention pendant l'utilisation des machines à usiner peut entraîner des blessures corporelles graves.
- Évitez tout démarrage intempestif. Vérifiez que l'interrupteur est en position d'arrêt avant de brancher l'outil sur l'alimentation et/ou la batterie, de le ramasser ou de le transporter. Le fait de garder le doigt sur l'interrupteur pendant le transport des outils ou le branchement des machines alors que l'interrupteur est en position ON expose à des accidents.
- Le produit peut entraîner la projection d'objets, ce qui peut blesser l'opérateur. Retirez la clé et la clavette de calage avant de démarrer le produit.
- La connaissance des outils, acquise par l'usage fréquent de ces derniers, ne doit pas vous dispenser d'être prudent et d'appliquer les principes de sécurité. Une action inconsidérée peut provoquer de graves blessures en une fraction de seconde.
- Assurez-vous que tous les opérateurs qui utilisent le produit ont lu et compris le contenu du manuel d'utilisation.
- Habillez-vous correctement. Ne portez jamais de vêtements amples ou de bijoux. Éloignez vos cheveux et vos vêtements des pièces mobiles. Les vêtements amples, les bijoux et les cheveux longs peuvent rester coincés dans les pièces mobiles. .
- Des accidents dangereux peuvent se produire si le noyau en béton reste dans le foret lorsque vous retirez le moteur de forage du sol ou du mur.
- Tenez-vous à distance du foret lorsque le moteur tourne.
- Assurez-vous qu'aucun tuyau ou câble électrique ne passe par la zone dans laquelle le trou doit être percé.
- Ne vous éloignez pas du produit lorsque le moteur est allumé.
- Ne vous éloignez pas trop. Restez toujours en équilibre et sur vos appuis. Cela favorise le contrôle de la machine à usiner dans les situations inattendues.

- Assurez-vous qu'il y a toujours une personne supplémentaire à proximité lorsque vous utilisez le produit. En cas d'accident, vous pourrez obtenir de l'aide si nécessaire.
- N'utilisez pas un produit dont les dispositifs de sécurité sont défectueux.
- Effectuez les contrôles de sécurité, de maintenance et d'entretien indiqués dans ce manuel. Certaines procédures de maintenance et d'entretien doivent uniquement être effectuées par des agents d'entretien agréés. Voir la section *Dispositifs de sécurité sur le produit à la page 31*
- Les contrôles et/ou les opérations de maintenance doivent être effectués avec le moteur à l'arrêt et la fiche débranchée de la prise électrique.
- N'utilisez pas un produit dont les spécifications d'usine ont été modifiées.
- Débranchez la fiche de la prise et/ou retirez le bloc d'alimentation, si celui-ci est amovible, avant de procéder aux réglages, de changer les accessoires ou de stocker un outil électrique. Ces mesures de sécurité préventive réduisent le risque de mise sous tension accidentelle de la machine à usiner.
- Les poignées et les surfaces de maintien doivent toujours être propres, sèches et sans traces d'huile ni de graisse. Les poignées et surfaces de maintien glissantes ne sont pas autorisées.
- Ne surchargez pas le produit. En cas de surcharge du produit, celui-ci peut être endommagé.
- Assurez-vous que toutes les pièces sont en bon état et que toutes les fixations sont correctement serrées.

- Utilisez un casque de protection homologué.
- Utilisez toujours des protecteurs d'oreille homologués pendant l'utilisation du produit. Une exposition au bruit sur de longues périodes peut provoquer une perte d'audition.
- Le produit génère de la poussière et des fumées nocives pour la santé. Portez une protection respiratoire homologuée.
- Assurez-vous de disposer d'une trousse de premiers soins à proximité.
- Des étincelles peuvent se produire lorsque vous utilisez le produit. Assurez-vous de disposer d'un extincteur à proximité.
- Ne portez pas de vêtements amples, de bijoux ou d'autres objets pouvant s'accrocher dans les pièces mobiles. Attachez vos cheveux de façon sécurisée au-dessus de vos épaules.

## Dispositifs de sécurité sur le produit

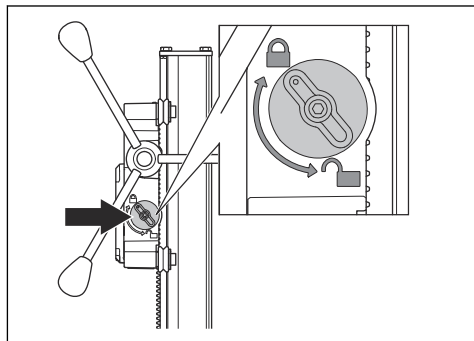


**AVERTISSEMENT:** Lisez les instructions qui suivent avant d'utiliser le produit.

- N'utilisez pas un produit avec des dispositifs de sécurité défectueux.
- Contrôlez les dispositifs de sécurité régulièrement. Si les dispositifs de sécurité sont défectueux, parlez-en à votre agent d'entretien Husqvarna.

## Contrôle du verrou du chariot

1. Tournez le bouton de verrouillage du chariot du moteur.



2. Vérifiez à la main que le chariot est bloqué sur la colonne de forage.

## Équipement de protection individuel

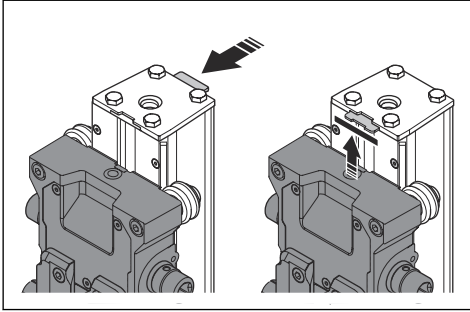


**AVERTISSEMENT:** Lisez les instructions qui suivent avant d'utiliser le produit.

- Utilisez toujours un équipement de protection individuel approprié lorsque vous faites fonctionner le produit. L'équipement de protection individuel n'empêche pas le risque de blessures. L'équipement de protection individuel diminue la gravité des blessures en cas d'accident. Faites appel à votre revendeur pour vous aider à sélectionner l'équipement adéquat.
- Utilisez des protections pour les yeux homologuées pendant que vous utilisez le produit.
- Utilisez des bottes antidérapantes robustes avec coquilles en acier.
- Portez des vêtements près du corps qui n'entravent toutefois pas vos mouvements.
- Vérifiez régulièrement l'état de votre équipement de protection individuel.
- Utilisez des gants de protection robustes homologués.
- Utilisez des gants de protection en caoutchouc afin d'éviter toute irritation de la peau due au béton humide.

## Contrôle de la butée de la colonne de forage

1. Déplacez la plaque d'arrêt dans la position appropriée.



2. Assurez-vous que le chariot du moteur de forage s'arrête quand il touche la plaque d'arrêt.

## Consignes de sécurité pour l'entretien



**AVERTISSEMENT:** Les contrôles et/ou les entretiens doivent être effectués avec le moteur à l'arrêt et la prise électrique débranchée.

- Veillez à entretenir le produit et ses accessoires. Vérifiez le mauvais alignement ou la fixation des pièces mobiles, l'éventuelle rupture des pièces ou toute autre condition susceptible d'altérer le fonctionnement du produit. S'il est endommagé, faites réparer le produit avant toute réutilisation.
- Confiez l'entretien de votre outil électrique à un atelier d'entretien Husqvarna qui utilisera uniquement des pièces de rechange identiques.

## Montage

### Introduction

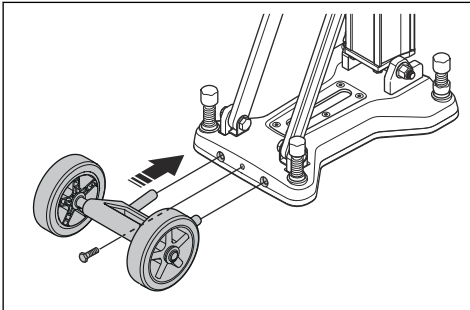
Ce chapitre décrit la procédure à suivre pour monter et régler le produit.



**AVERTISSEMENT:** Avant de monter le produit, consultez le chapitre sur la sécurité et les instructions de montage.

### Fixation du kit de roues (accessoire)

1. Fixez le kit de roues à l'arrière de la plaque inférieure.



2. Serrez la vis.

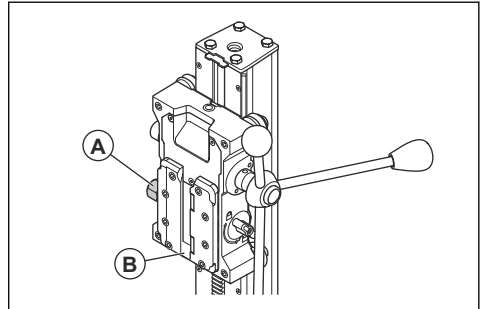
### Fixation du moteur de forage



**AVERTISSEMENT:** Toujours débrancher la prise avant le nettoyage, l'entretien et le montage.

1. Déverrouillez le chariot du moteur de forage (A).
2. Fixez le moteur de forage dans le rail (B) sur le chariot du moteur de forage.

3. Verrouillez le chariot du moteur de forage (A).

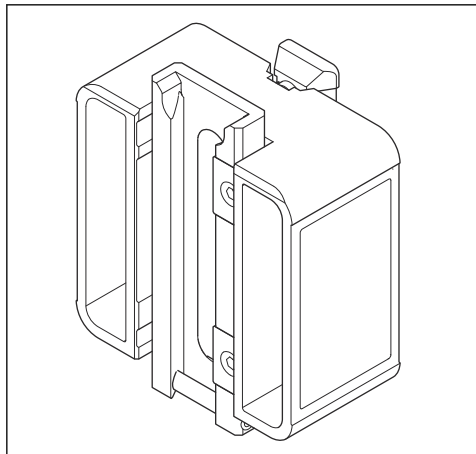


### Entretoise rapide (accessoire)

Utilisez une entretoise rapide pour percer des trous de grand diamètre. Pour sélectionner la bonne entretoise rapide, reportez-vous à la section *Diamètre maximum de forage* à la page 39. Montez l'entretoise rapide sur

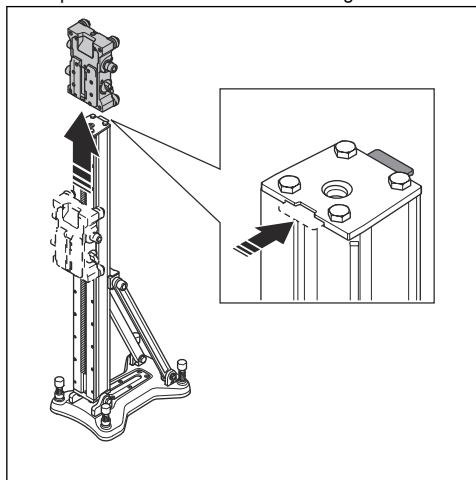


le moteur de forage avant de fixer celui-ci sur le support de forage.

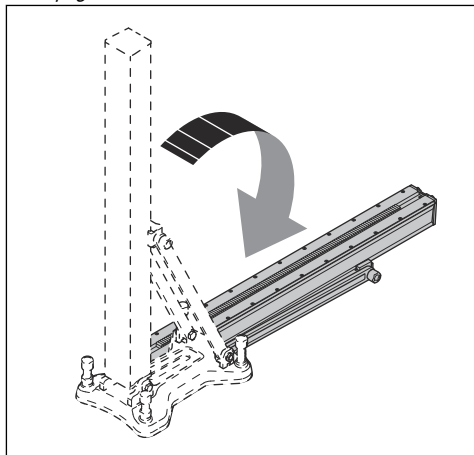


## Remplacement de la colonne du support de forage (accessoire)

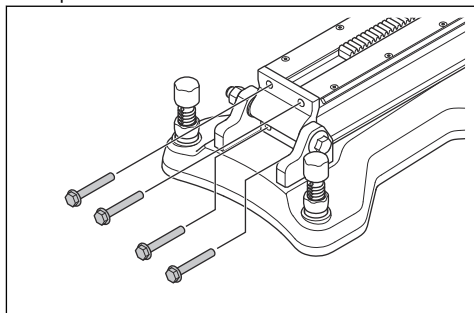
1. Poussez la plaque d'arrêt en position ouverte. Déposez le chariot du moteur de forage.



2. Rabattez la colonne du support de forage complètement vers l'arrière. Reportez-vous à la section *Réglage de l'angle de la colonne de forage à la page 36*.



3. Déposez les 4 boulons de la charnière.



4. Déposez la colonne du support de forage.
5. Installez la colonne du support de forage en procédant dans l'ordre inverse.

## Installation

### Procédures d'installation du support de forage

3 procédures peuvent être utilisées pour fixer le support de forage avant une opération de forage :

- Avec un boulon explosif
- Avec une plaque à vide

- Avec une tige filetée, une rondelle et un contre-écrou

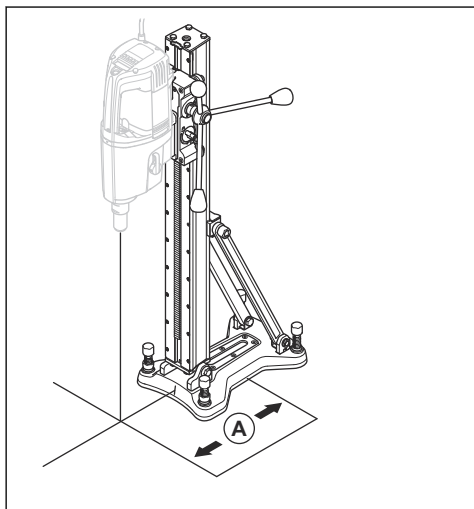
### Fixation du support de forage avec un boulon explosif



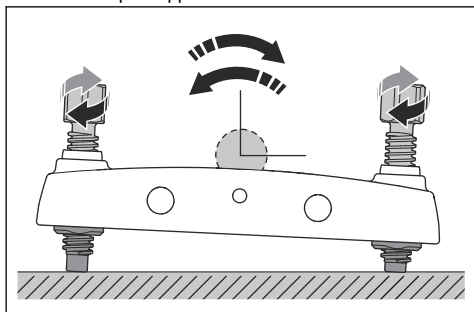
**AVERTISSEMENT:** Pour le forage de plafonds et de murs, il convient de n'utiliser qu'un mandrin expansible ou un ancrage

adapté aux surfaces exposées à des forces de traction. N'utiliser qu'un mandrin expansible ou un ancrage approuvé pour la présente application.

1. Percez un trou pour le boulon explosif. Reportez-vous à la section *Fixation du boulon explosif* à la page 34. Mesurez une distance (A) de 335 mm (13,2 po) à partir du centre du trou que vous allez percer. Si vous utilisez l'entretoise rapide (accessoire), cette distance change. Reportez-vous à la section *Entretoise rapide (accessoire)* à la page 32.

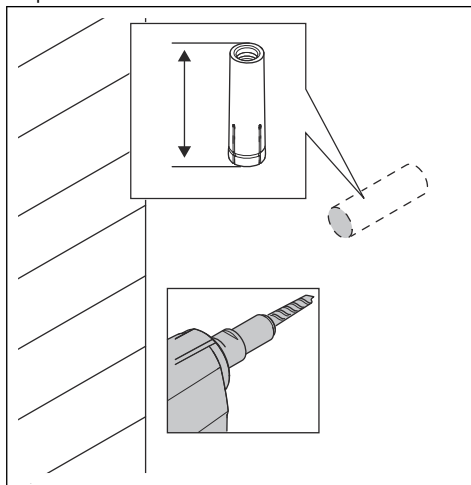


2. Fixez la plaque inférieure avec un boulon explosif.
3. Assurez-vous que le support de forage est fixé correctement.
4. Si nécessaire, ajustez la plaque inférieure. Utilisez les vis de mise à niveau pour ajuster la plaque inférieure par rapport à la surface.

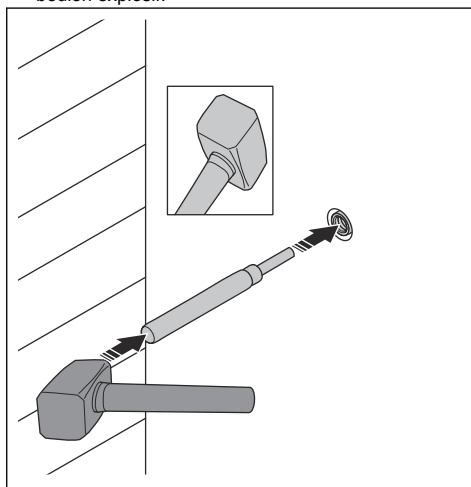


## Fixation du boulon explosif

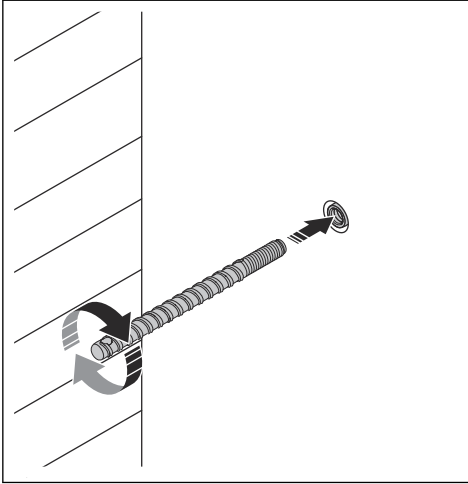
1. Percez un trou pour le boulon explosif. Assurez-vous que la profondeur est suffisante. La douille doit être placée sous la surface.



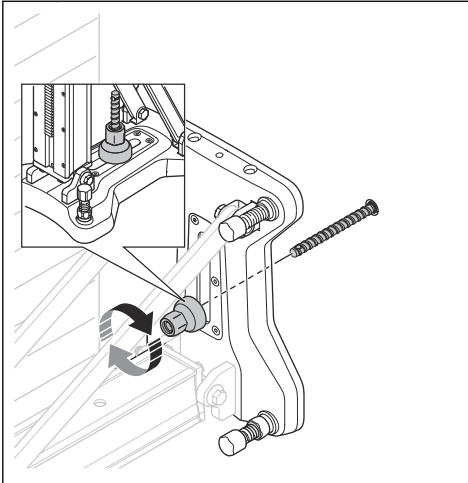
2. Utilisez un mandrin et un marteau pour installer le boulon explosif.



3. Installez la vis d'ancrage.



4. Installez le support de forage avec l'écrou.



### Pour fixer le produit sur une plaque à vide Husqvarna



**AVERTISSEMENT:** N'utilisez pas le produit en combinaison avec la plaque à vide lorsque vous percez dans un mur ou dans un plafond.

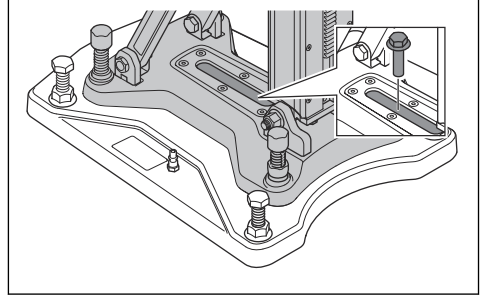


**AVERTISSEMENT:** La surface d'appui doit être plane et de bonne qualité. Le produit peut se desserrer si la plaque à vide ne peut pas être appuyée entièrement contre la surface.



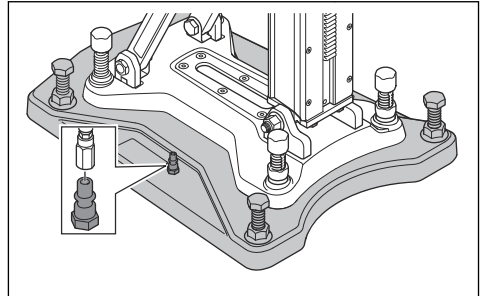
**AVERTISSEMENT:** L'utilisation de la plaque à vide est uniquement recommandée avec les moteurs de forage Husqvarna suivants : DM 200, DM 220, DM 230, DM 280, DM 340, DM 400. L'utilisation d'autres moteurs de forage peut provoquer le desserrage du produit.

1. Fixez le produit sur la plaque à vide avec le boulon.



2. Desserrez les vis de mise à niveau. Celles-ci doivent se trouver au-dessus du fond de la plaque à vide.

3. Raccordez le tuyau d'aspiration et allumez la pompe.



**REMARQUE:** La pression doit être d'au moins -0,85 bar pour sceller fermement la plaque à vide sur la surface.

4. Serrez les vis de mise à niveau jusqu'à ce que vous ressentiez une pression sur les vis.



**AVERTISSEMENT:** Les vis de mise à niveau doivent toucher la surface lorsque vous utilisez la plaque à vide. Si ce n'est pas le cas, la plaque à vide risque de se détacher.

### Pour fixer le support de forage avec une tige fileté

Utilisez une tige traversante s'il n'est pas possible de fixer le support de tige au mur ou au plafond avec un boulon explosif. Utilisez des rondelles et des écrous pour serrer la tige traversante.

## Utilisation

### Avant d'utiliser le produit



**AVERTISSEMENT:** Cette machine est conçue pour le forage dans du béton, de la brique et divers autres matériaux à base de pierre. Elle n'est destinée à aucune autre utilisation.



**AVERTISSEMENT:** Avant le forage, vérifiez que toutes les vis de blocage sont bien serrées. Des accidents dangereux peuvent se produire si la carotte de béton reste dans le foret lorsque vous retirez le moteur de forage/le foret du sol, du mur ou du plafond.



**AVERTISSEMENT:** Pour le forage de plafonds, utilisez toujours un collecteur d'eau compatible avec votre moteur de forage, ou utilisez un moteur de forage hydraulique. La perceuse et le bâti risquent d'être sous tension si de l'eau fuit dans la machine.

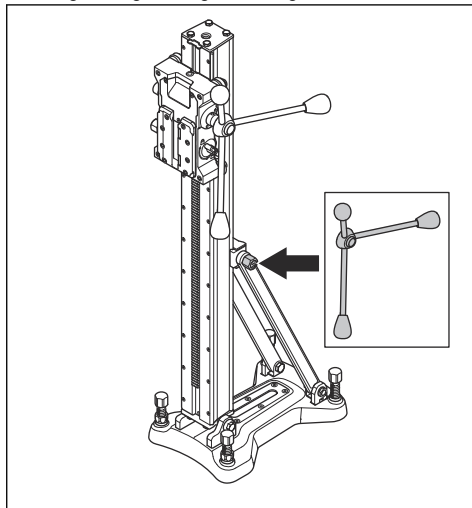


**AVERTISSEMENT:** Assurez-vous que la butée est montée et fonctionnelle.

1. Lisez attentivement le manuel d'utilisation et assurez-vous de bien comprendre les instructions.
2. Veillez à ce que la zone de travail reste propre et bien éclairée pour éviter les accidents.
3. Effectuez l'entretien quotidien. Reportez-vous à la section *Entretien quotidien du support de forage* à la page 36.
4. Utilisez un équipement de protection personnelle. Reportez-vous à la section *Équipement de protection individuel* à la page 31.

### Réglage de l'angle de la colonne de forage

1. Desserrez la vis de blocage qui bloque la colonne de forage et réglez l'angle de forage souhaité.



2. Utilisez l'indicateur d'angle pour un réglage approximatif. Si une plus grande précision est nécessaire, utilisez d'autres méthodes de mesure.
3. Serrez la vis de blocage de la colonne de forage. Utilisez le levier d'alimentation. La colonne de forage peut être inclinée de 0 à 90°.

## Entretien

### Introduction



**AVERTISSEMENT:** assurez-vous de lire et de comprendre le chapitre sur la sécurité avant de procéder à l'entretien du produit.



**AVERTISSEMENT:** Pour éviter les blessures, débranchez le cordon d'alimentation avant de procéder à l'entretien.

### Entretien quotidien du support de forage

- Assurez-vous que les écrous et les vis sont serrés.
- Nettoyez la surface extérieure du support de forage.
- Assurez-vous que le levier d'alimentation se déplace sans résistance.
- Assurez-vous que les engrenages se déplacent facilement et sans bruit.
- Examinez la colonne de forage ; soyez attentif aux traces d'usure ou de dommages.

- Assurez-vous que le chariot du moteur de forage se déplace facilement et qu'il n'y a pas de jeu avec la colonne de forage.

## Nettoyage et lubrification du support de forage



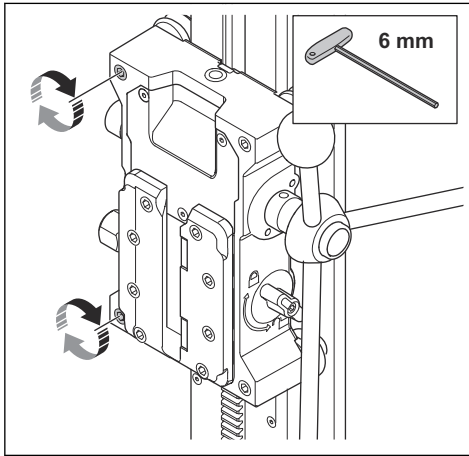
**REMARQUE:** Si vous ne nettoyez pas le support de forage, celui-ci risque d'être endommagé.

1. Retirez le moteur de forage.
2. Nettoyez le support de forage avec un nettoyeur à haute pression, puis retirez l'eau résiduelle avec un chiffon sec.
3. Lubrifiez les pièces mobiles du support de forage. Graissez les surfaces de contact pour éviter la corrosion.

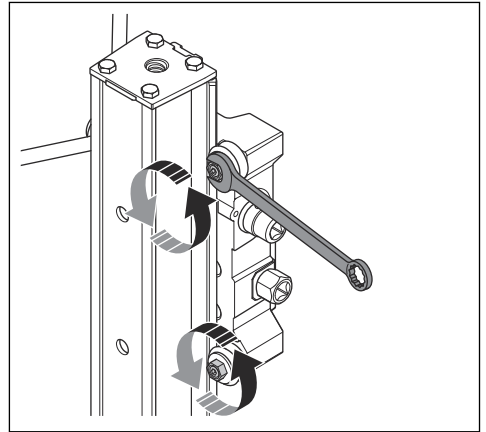
## Réglage du chariot du moteur de forage

S'il y a un espace entre la colonne de forage et le chariot du moteur de forage, ce dernier doit être réglé.

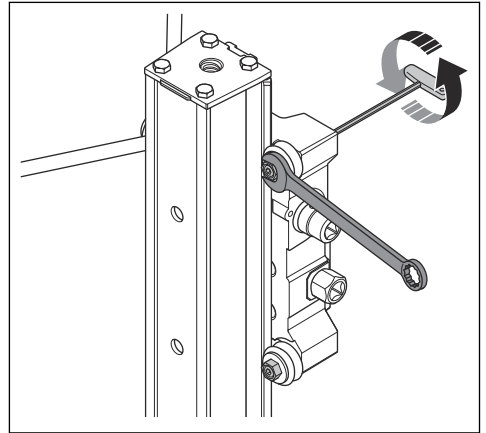
1. Desserrez les vis qui maintiennent les arbres des rouleaux.



2. Réglez les arbres des rouleaux. Faites tourner la vis dans le sens contraire des aiguilles d'une montre pour déplacer les roues de guidage vers la colonne de forage.

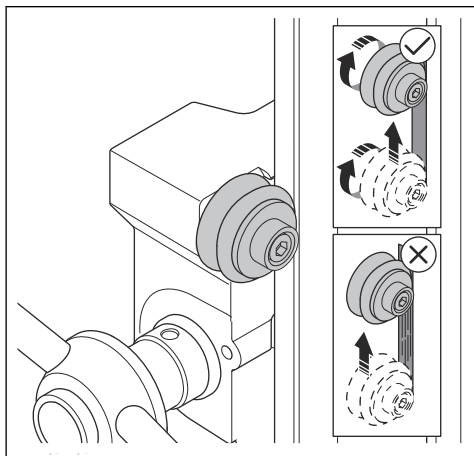


3. Verrouillez la position de la roue de guidage avec une clé. Serrez la vis de blocage de l'arbre du rouleau avec une clé hexagonale.



**Remarque:** Après avoir serré les arbres des rouleaux, vous devez être en mesure de les faire tourner avec le levier d'alimentation mais pas à la main.

4. Utilisez le levier d'alimentation pour déplacer le chariot du moteur vers le haut et vers le bas. Assurez-vous que le chariot du moteur de forage se déplace sans à-coups sur la colonne de forage. Les arbres des rouleaux doivent tourner et non se déplacer. Si nécessaire, réglez à nouveau les arbres des rouleaux.



---

## Transport et stockage

---

### Transport et stockage

- Sécurisez le produit lors de son transport pour éviter tout dommage ou accident.
- Les roues de transport sont des accessoires que vous pouvez utiliser pour transporter le support monté avec l'unité de forage.
- Sans roues de transport, l'unité de forage doit être démontée du support pendant le transport, car le poids de levage combiné est supérieur à 25 kg.
- Conservez le produit dans un endroit verrouillé afin que des enfants ou personnes qui ne sont pas autorisées à l'utiliser ne puissent pas y avoir accès.
- Remisez la foreuse et le support dans un endroit sec et à l'abri du gel.

---

## Caractéristiques techniques

---

### Caractéristiques techniques

Dimensions	
Hauteur, mm/po	1 050/41,3
Largeur, mm/po	240/9,4
Profondeur, mm/po	395/15,5
Poids kg/lbs	17/37,4
Course, mm/po	700/27,5
Charge max. (sur la poignée), kg/lbs	120/264,5
Angle de la colonne de forage	0-90°

### Diamètre maximum de forage

Moteur de forage	Sans entretoise rapide, mm/po	Avec entretoise rapide, mm/po
DM 650	400/15,7	500/19,7
DM 280/340	370/14,6	470/18,5

---

## Entretien

---

### Atelier d'entretien agréé

Pour trouver l'atelier d'entretien Husqvarna Construction Products agréé le plus proche, rendez-vous sur le site Web .

---

## Déclaration de conformité CE

---

### Déclaration de conformité CE

Nous, **Husqvarna AB**, SE-561 82 Huskvarna, Suède,  
tél : +46-36-146500, déclarons sous notre entière  
responsabilité que le produit :

<b>Description</b>	<b>Bâti de forage</b>
<b>Marque</b>	Husqvarna
<b>Type/Modèle</b>	DS 500
<b>Identification</b>	Numéros de série à partir de 2019 et ultérieurs

est entièrement conforme à la réglementation et aux  
directives de l'UE suivantes :

<b>Directive/Réglementation</b>	<b>Description</b>
2006/42/EC	« relative aux machines »

et que les normes harmonisées et/ou les spécifications  
techniques suivantes sont appliquées :

EN ISO 12100:2010

EN 12348:2000+A1:2009

EN 62841-3-6:2014+A11:2017

Partille, 2019-02-25



Edvard Gulis

Directeur général R&D

Découpe et forage de béton

Husqvarna AB, division Construction



# Inhoud

Inleiding.....	41	Onderhoud.....	50
Veiligheid.....	42	Transport en opslag.....	51
Montage.....	45	Technische gegevens.....	52
Installatie.....	46	Service.....	52
Werking.....	49	EG verklaring van overeenstemming.....	53

# Inleiding

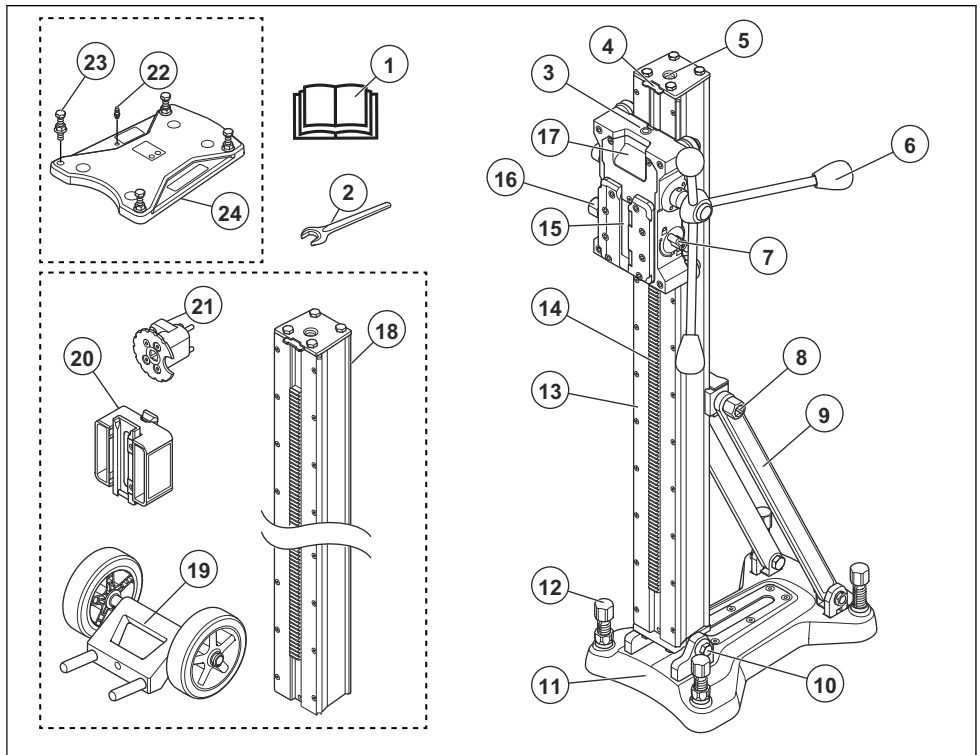
## Productbeschrijving

De Husqvarna DS 500 is een boorstandaard voor Husqvarna-boormotoren.

- De standaard is voor het boren in plafonds, wanden en vloeren.
- De boorstandaard is stabiel en kan worden gebruikt voor boorafmetingen met een maximale diameter van 500 mm.

- De kolom kan 0-90° worden gekanteld.
- De boorstandaard heeft een snelbevestigingsplaat voor de boormotor.
- De toevoerhendel kan worden gebruikt om de kolomschuinstelling in te stellen en de snelle montage te vergemakkelijken.
- Het is mogelijk om een kolom van 2 m (accessoire) op de boorstandaard te gebruiken.

## Productoverzicht



1. Bedieningshandleiding
2. Sleutel, 24-32 mm
3. Hoogte-indicator
4. Eindaanslag
5. Gat voor spindel (accessoire)
6. Toevoerhendel
7. Sledevergrendeling
8. Borgschroef, voor het kantelen van de kolom
9. Ondersteuning
10. Scharniersteun
11. Bodemplaat
12. Hoogteafstelschroeven
13. Boorkolom
14. Tandheugel
15. Borgklem, snelbevestiging
16. Borgschroef, borgklem
17. Slede
18. Boorkolom, 2 m (accessoire)
19. Transportwielen (accessoire)
20. Adapter, snel aan te brengen afstandsstuk (accessoire)
21. AD-steun (accessoire)
22. Aansluiting voor vacuümpomp
23. Hoogteafstelschroeven
24. Pakking, vacuümzuiging bodem

toebrengen aan de gebruiker of anderen.  
Wees voorzichtig en gebruik het product op de juiste manier.



Lees de bedieningshandleiding zorgvuldig door en zorg dat u de instructies hebt begrepen voordat u het product gaat gebruiken.



Gebruik goedgekeurde gehoorbescherming.

**Let op:** Overige op het product aangebrachte symbolen/ plaatjes verwijzen naar specifieke eisen aan certificering voor bepaalde markten.

## Productaansprakelijkheid

Zoals uiteengezet in de wet voor productaansprakelijkheid zijn wij niet aansprakelijk voor schade die door ons product wordt veroorzaakt, indien:

- het product niet goed is gerepareerd.
- het product is gerepareerd met onderdelen die niet van de fabrikant afkomstig zijn, of onderdelen die niet zijn goedgekeurd door de fabrikant.
- het product een accessoire bevat dat niet afkomstig is van de fabrikant of niet is goedgekeurd door de fabrikant.
- het product niet is gerepareerd door een erkend servicepunt of door een erkende autoriteit.

## Symbolen op het product



**WAARSCHUWING:** Dit product kan gevaarlijk zijn en ernstig of fataal letsel

## Veiligheid

### Veiligheidsdefinities

Waarschuwingen, voorzorgsmaatregelen en opmerkingen worden gebruikt om te wijzen op belangrijke delen van de handleiding.



**WAARSCHUWING:** Wordt gebruikt om te wijzen op de kans op ernstig of fataal letsel voor de gebruiker of omstanders wanneer de instructies in de handleiding niet worden gevolgd.



**OPGELET:** Wordt gebruikt indien er een risico bestaat op schade aan het product en andere eigendommen of aan de omgeving wanneer de instructies in de handleiding niet worden gevolgd.

**Let op:** Geven verdere informatie die nodig is in een bepaalde situatie.

### Gebruik altijd uw gezond verstand



**WAARSCHUWING:** Onder geen beding mag u wijzigingen aanbrengen in het oorspronkelijke ontwerp van de machine zonder toestemming van de fabrikant. Gebruik altijd originele reserveonderdelen. Ongeautoriseerde wijzigingen en/of accessoires kunnen ernstig of dodelijk letsel aan de gebruiker of anderen toebrengen.

Het is niet mogelijk om elke situatie die zich kan voordoen tijdens het gebruik van een boormachine te vermelden. Wees altijd voorzichtig en gebruik uw gezond verstand. Vermijd situaties die uw capaciteiten te boven gaan. Als u na het lezen van deze instructies nog vragen hebt over de bedieningsprocedures dient u een expert te raadplegen voordat u verder gaat.

Aarzel niet om contact op te nemen met uw leverancier als u nog meer vragen hebt over het gebruik van deze machine. We zijn graag bereid om u te adviseren of u te

helpen uw machine op een efficiënte en veilige manier te gebruiken.

Laat uw Husqvarna-dealer de boormachine regelmatig controleren en de noodzakelijke aanpassingen en reparaties uitvoeren.

Alle informatie en gegevens in deze bedieningshandleiding waren van toepassing op de datum dat deze gebruiksaanwijzing ter perse ging.

## Veiligheidsinstructies voor bediening



**WAARSCHUWING:** Lees alle veiligheidswaarschuwingen, instructies, illustraties en specificaties die worden meegeleverd met dit elektrisch gereedschap. Het niet opvolgen van ieder van de onderstaande instructies kan leiden tot elektrische schokken, brand en/of ernstig letsel. Bewaar alle waarschuwingen en instructies voor later gebruik.



**WAARSCHUWING:** Er is altijd een risico op letsel als u werkt met producten die bewegende onderdelen bevatten. Draag veiligheidshandschoenen om letsel te voorkomen.

- Maak altijd gebruik van persoonlijke beschermingsmiddelen. Draag altijd oogbescherming. Persoonlijke beschermingsmiddelen zoals een stofmasker, veiligheidsschoenen met antislipprofiel, een veiligheidshelm of gehoorbescherming zullen in relevante werkomstandigheden letsel beperken.
- Houd kinderen en omstanders op afstand wanneer u elektrisch gereedschap gebruikt. U kunt de controle over het apparaat verliezen als u afgeleid wordt.
- Verwijder alle ongewenste materialen uit het werkgebied en zorg dat het werkgebied verlicht is voordat u begint. Als de gebieden niet worden gereinigd en verlicht, is er meer risico op ongevallen.
- Gebruik elektrisch gereedschap niet in een omgeving waar ontploffingsgevaar bestaat, zoals in de buurt van brandbare vloeistoffen, gassen of stof. Elektrisch gereedschap kan vonken produceren waardoor stof of dampen kunnen ontbranden.
- In situaties waar plotseling mensen of dieren kunnen verschijnen, hebt u mogelijk minder controle over het product. Houd daarom altijd uw aandacht bij de taak.
- Gebruik het product niet bij ongunstige weersomstandigheden, zoals mist, regen, sterke wind, hevige koude of andere ongunstige omstandigheden. Bij slecht weer kunnen gevaarlijke omstandigheden, zoals gladde oppervlakken, ontstaan.
- Inspecteer het werkgebied voordat u het product gebruikt. Kijk uit voor obstakels met een risico op plotselinge en schadelijke bewegingen. Zorg ervoor dat tijdens gebruik geen materiaal kan losraken en vallen of letsel kan veroorzaken.
- Controleer altijd de achterkant van het oppervlak waar het boorbitje door moet gaan. Zorg dat het gebied veilig is en markeer het werkgebied. Zorg dat er geen lichamelijk letsel kan ontstaan en dat materiaal niet beschadigd kan raken.
- Wees altijd alert, kijk wat u doet en gebruik uw gezonde verstand wanneer u elektrisch gereedschap gebruikt. Gebruik een elektrisch apparaat niet als u moe bent of onder invloed bent van drugs, alcohol of medicijnen. Een moment van onoplettendheid tijdens het gebruik van elektrische apparaten kan leiden tot ernstig persoonlijk letsel.
- Voorkom een onbedoelde start. Zorg ervoor dat de aan-/uitschakelaar in de OFF-stand staat voordat u het gereedschap aansluit op een spanningsbron en/of accu, oppakt of draagt. Het dragen van elektrische apparaten met uw vinger op de schakelaar of het onder spanning zetten van elektrische apparaten waarvan de schakelaar op aan staat, kan makkelijk leiden tot ongelukken
- Het gebruik van het product kan tot rondvliegende voorwerpen leiden, waardoor letsel bij de gebruiker kan ontstaan. Verwijder de instelsleutel en sleutel voordat u het product start.
- Laat de vertrouwdheid met de door u gebruikte apparaten door het frequente gebruik ervan niet toe leiden dat u de veiligheidsprincipes negeert. Een onzorgvuldige handeling kan binnen een fractie van een seconde leiden tot ernstig letsel.
- Zorg ervoor dat iedereen die het product gebruikt de inhoud van de bedieningshandleiding heeft gelezen en begrepen.
- Draag geschikte kleding. Draag geen losse kleding of sieraden. Houd uw haar en kleding uit de buurt van bewegende onderdelen. Losse kleding, sieraden of lang haar kunnen verstrikt raken in bewegende onderdelen. .
- Er kunnen gevaarlijke ongelukken gebeuren als de betonnen kern in het boorbitje blijft zitten wanneer u de boormotor uit de vloer of muur trekt.
- Blijf op afstand van het boorbitje wanneer de motor draait.
- Controleer of er geen leidingen of elektrische kabels lopen op de plek waar u het gat gaat boren.
- Blijf in de buurt van het product wanneer de motor draait.
- Voorkom overstrekken. Zorg dat u te allen tijde stevig en in balans staat. Hierdoor heeft u een betere controle over het apparaat in onverwachte situaties.
- Zorg ervoor dat er altijd één persoon in de buurt is wanneer u het product gebruikt. Als zich een ongeval voordoet, moet u indien nodig hulp kunnen krijgen.
- Gebruik het product nooit wanneer de veiligheidsuitrusting defect is.

- Voer de in deze handleiding beschreven veiligheidscontroles en onderhouds- en servicetaken uit. Sommige onderhouds- en servicewerkzaamheden mogen alleen worden uitgevoerd door erkende servicewerkplaatsen. Zie de sectie *Veiligheidsvoorzieningen op het product op pagina 44*
- Inspectie en/of onderhoud moet worden uitgevoerd terwijl de motor is gestopt en de stekker uit het stopcontact is verwijderd.
- Gebruik geen product dat is gewijzigd ten opzichte van de fabrieksspecificaties.
- Haal de stekker uit het stopcontact en/of verwijder het accupack (indien verwijderbaar) van het elektrische gereedschap voordat u aanpassingen maakt, accessoires verwisselt of het elektrische gereedschap opbergt. Deze voorzorgsmaatregelen verkleinen het risico op het per ongeluk starten van het elektrische apparaat.
- Houd de handgrepen en grijppoppervlakken droog, schoon en vrij van olie en vet. Als de handgrepen en grijppoppervlakken glad zijn, kan het product niet veilig worden bediend en hebt u er in overwachte situaties geen controle over.
- Overbelast het product niet. Als u het product overbelast, kan het beschadigd raken.
- Zorg ervoor dat alle onderdelen in een goede staat blijven en controleer of alle fittingen goed vastzitten.

## Personlijke beschermingsuitrusting



**WAARSCHUWING:** Lees de volgende waarschuwingen voordat u het product gaat gebruiken.

- Gebruik altijd de juiste persoonlijke beschermingsmiddelen wanneer u het product gebruikt. De persoonlijke beschermingsmiddelen nemen het risico op letsel niet weg. De persoonlijke beschermingsmiddelen verlagen de ernst van het letsel indien zich een ongeval voordoet. Vraag uw dealer u te helpen bij het kiezen van de juiste beschermingsmiddelen.
- Gebruik goedgekeurde oogbescherming wanneer u het product gebruikt.
- Gebruik stevige slipbestendige laarzen met stalen neuzen.
- Draag nauwsluitende kleding die uw bewegingsvrijheid niet beperkt.
- Controleer regelmatig de toestand van uw persoonlijke beschermingsmiddelen.
- Gebruik goedgekeurde, sterke veiligheidshandschoenen.
- Gebruik rubberen veiligheidshandschoenen om huidirritatie vanwege het natte beton te voorkomen.
- Draag een goedgekeurde veiligheidshelm.
- Gebruik altijd goedgekeurde gehoorbescherming wanneer u het product gebruikt. Langdurig lawaai kan gehoorverlies veroorzaken.

- Het product veroorzaakt stof en dampen die slecht zijn voor uw gezondheid. Gebruik goedgekeurde ademhalingsbescherming.
- Zorg ervoor dat u een EHBO-kit bij de hand hebt.
- Er kunnen vonken optreden bij de bediening van de machine. Zorg ervoor dat u een brandblusapparaat bij de hand hebt.
- Draag geen loszittende kleding, sieraden of andere voorwerpen die vast kunnen komen te zitten in bewegende delen. Bind voor de veiligheid lang haar samen tot boven schouderhoogte.

## Veiligheidsvoorzieningen op het product

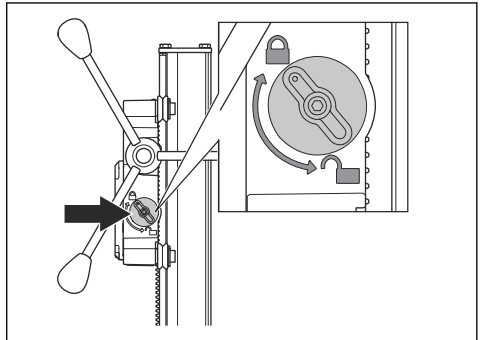


**WAARSCHUWING:** Lees de volgende waarschuwingen voordat u het product gaat gebruiken.

- Gebruik het product nooit wanneer de veiligheidsvoorzieningen defect zijn.
- Controleer de veiligheidsvoorzieningen regelmatig op een juiste werking. Als de veiligheidsvoorzieningen defect zijn, neem dan contact op met uw Husqvarna servicewerkplaats.

### De sledevergrendeling controleren

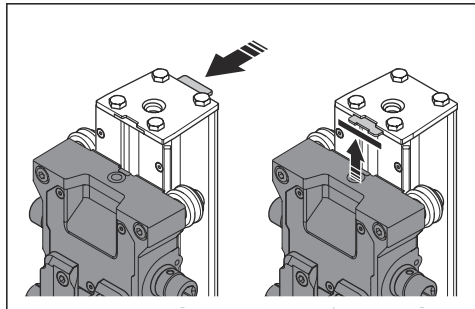
1. Draai aan de knop om de motorslede te vergrendelen.



2. Voel met de hand of de slede op de boorkolom is vergrendeld.

## De eindaanslag van de boorkolom controleren

1. Duw de stopplaat in de juiste positie.



2. Zorg ervoor dat de boormotorslede stopt wanneer deze de stopplaat raakt.

## Veiligheidsinstructies voor onderhoud



**WAARSCHUWING:** Controle en/of onderhoud dient te worden uitgevoerd met uitgeschakelde motor en de stekker uit het stopcontact.

- Onderhoud het product en de accessoires. Controleer op onjuiste montage of vastlopen van bewegende delen, gebroken onderdelen en andere condities die de werking van het product kunnen beïnvloeden. Als het product is beschadigd, moet u het laten repareren voordat u het gebruikt.
- Laat uw product onderhouden door een gekwalificeerde Husqvarna-servicedealer die uitsluitend identieke vervangingsonderdelen gebruikt.

## Montage

### Inleiding

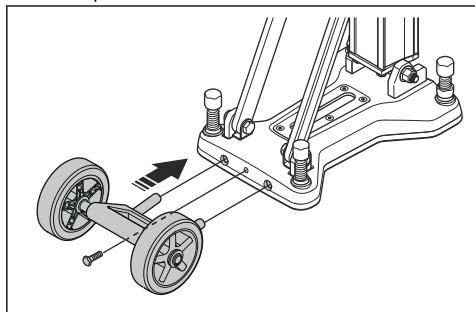
In dit hoofdstuk wordt beschreven hoe het product moet worden gemonteerd en afgesteld.



**WAARSCHUWING:** Lees, voordat u het product monteert, het hoofdstuk over veiligheid en de montage-instructies door.

### De wielset (accessoire) bevestigen

1. Bevestig de wielset aan de achterzijde van de bodemplaat.



2. Draai de schroef vast.

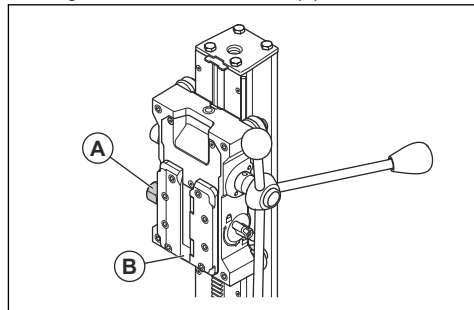
### De boormotor bevestigen



**WAARSCHUWING:** Trek altijd de stekker uit het stopcontact voor het schoonmaken, onderhouden of monteren.

1. Ontgrendel de boormotorslede (A).
2. Bevestig de boormotor in de sleuf (B) van de boormotorslede.

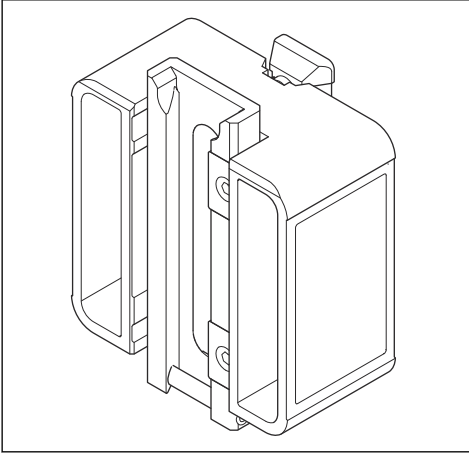
3. Vergrendel de boormotorslede (A).



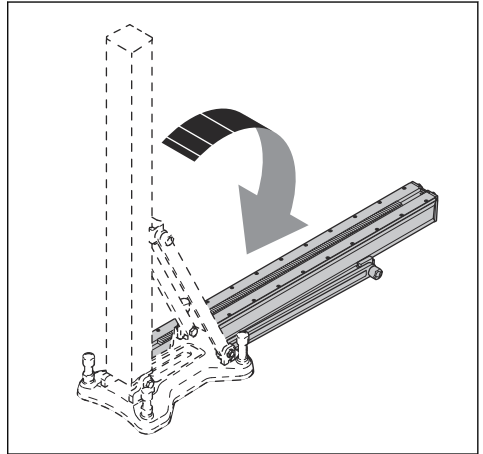
### Snel aan te brengen afstandsstuk (accessoire)

Gebruik een snel aan te brengen afstandsstuk om gaten met grote diameters te boren. Zie *Maximale boordiameter op pagina 52* voor het selecteren van het juiste snel aan te brengen afstandsstuk. Monteer het

snel aan te brengen afstandsstuk op de boormotor voordat u de boormotor op de boorstandaard bevestigt.

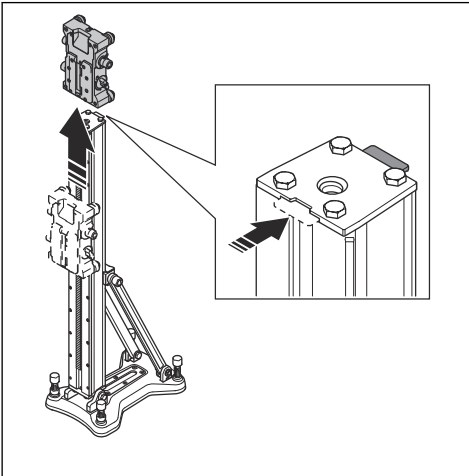


2. Klap de kolom van de boorstandaard volledig naar achteren. Zie *De hoek van de boorkolom aanpassen op pagina 49*.

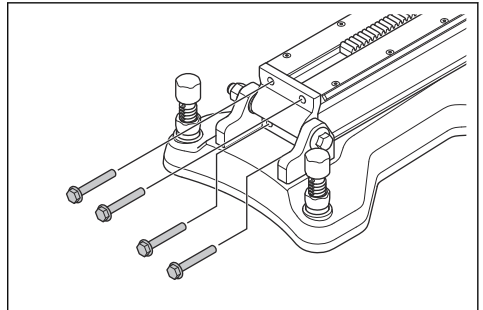


## De kolom van de boorstandaard vervangen (accessoire)

1. Druk de stopplaat in de open stand. Verwijder de boormotorlede.



3. Verwijder de 4 bouten uit de scharniersteun.



4. Verwijder de kolom van de boorstandaard.

5. Breng de kolom van de boorstandaard in omgekeerde volgorde aan.

## Installatie

### Procedures voor het monteren van de boorstandaard

Er zijn 3 procedures die kunnen worden gebruikt om de boorstandaard te bevestigen vóór boorwerkzaamheden:

- Met een expanderbout.
- Met een vacuümplaat.

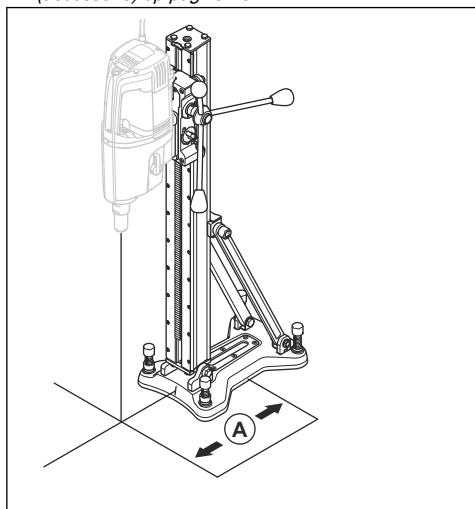
- Met een stang met schroefdraad, een ring en een borgmoer

## De boorstandaard bevestigen met een expanderbout



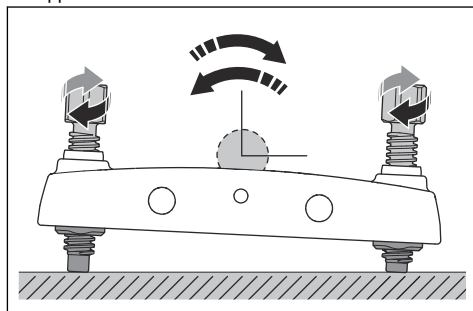
**WAARSCHUWING:** Bij het boren in plafonds en muren mogen uitsluitend expansie- of ankerbouten worden gebruikt die geschikt zijn voor oppervlakken die onderhevig zijn aan trekkrachten. Gebruik uitsluitend expansie- of ankerbouten die zijn goedgekeurd voor de betreffende toepassing.

1. Maak een gat voor de expanderbout. Zie *De expanderbout bevestigen op pagina 47*. Meet een afstand (A) van 335 mm vanaf het midden van het gat dat u gaat boren. Als u het snel aan te brengen afstandsstuk (accessoire) gebruikt, verandert de afstand. Zie *Snel aan te brengen afstandsstuk (accessoire) op pagina 45*.



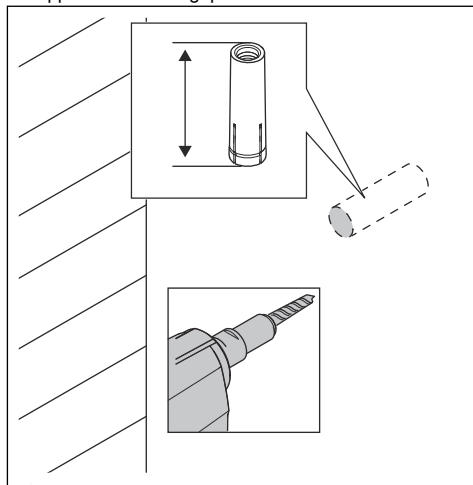
2. Bevestig de bodemplaat met een expanderbout.
3. Zorg ervoor dat de boorstandaard correct is vastgedraaid.

4. Verstel bodemplaat indien nodig. Gebruik de hoogteafstelschroeven om de bodemplaat op het oppervlak af te stellen.

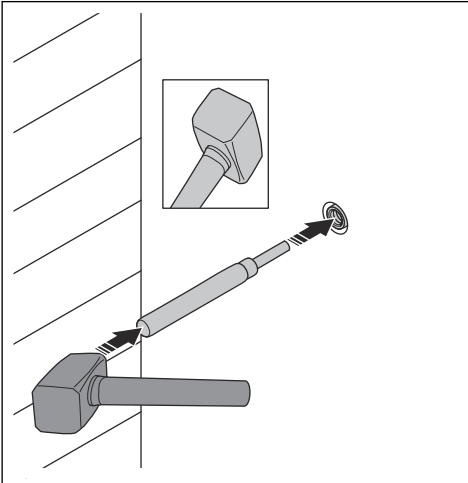


### De expanderbout bevestigen

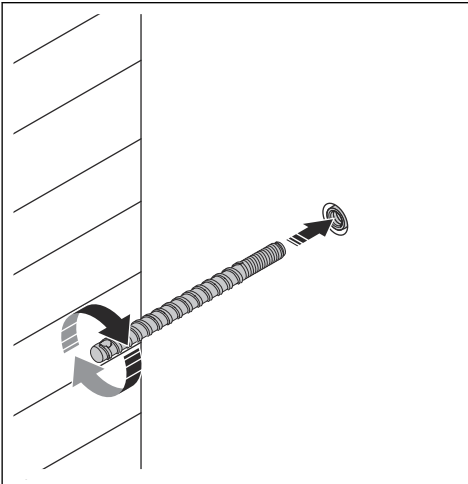
1. Boor een gat voor de expanderbout. Zorg dat het gat diep genoeg is. Het slaganker moet onder het oppervlak worden geplaatst.



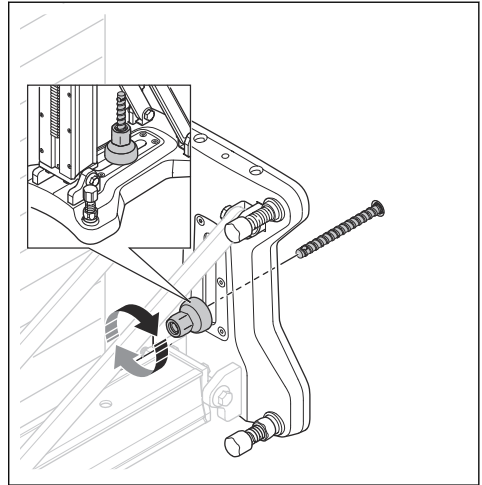
2. Gebruik de drevvel en een hamer om de expander aan te brengen.



3. Breng de ankerschroef aan.



4. Breng de boorstandaard aan met de moer.



### Het product bevestigen met een Husqvarna-vacuüplaat



**WAARSCHUWING:** Gebruik het product niet in combinatie met de vacuüplaat wanneer u in muren of plafonds boort.

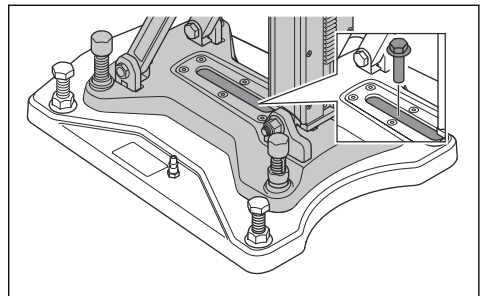


**WAARSCHUWING:** Het steunoppervlak moet vlak en van goede kwaliteit zijn. Het product kan losraken als de vacuüplaat niet volledig tegen het oppervlak kan worden afgedicht.



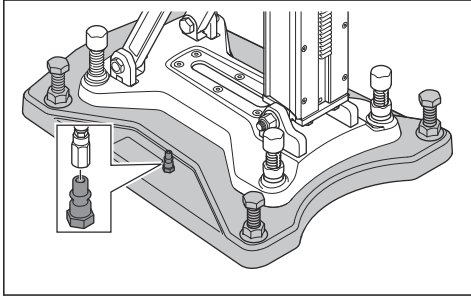
**WAARSCHUWING:** Het gebruik van een vacuüplaat wordt alleen aanbevolen in combinatie met deze Husqvarna-boormotoren: DM 200, DM 220, DM 230, DM 280, DM 340, DM 400. Het gebruik van andere boormotoren kan ertoe leiden dat het product losraakt.

1. Bevestig het product op de vacuüplaat met de bout.





2. Draai de hoogtafstelschroeven los. Ze moeten zich boven de onderkant van de vacuümplaat bevinden.
3. Sluit de vacuümslang aan en schakel de pomp in.



**OPGELET:** De minimumdruk moet  $-0,85$  bar zijn om de vacuümplaat goed op het oppervlak af te dichten.

4. Draai de hoogtafstelschroeven aan totdat u druk op de schroef voelt.



**WAARSCHUWING:** De hoogtafstelschroeven moeten het oppervlak raken wanneer u de vacuümplaat gebruikt. Als dit niet het geval is, kan de vacuümplaat losraken.

### De boorstandaard bevestigen met een stang met schroefdraad

Gebruik een doorlopende stang als het niet mogelijk is om de boorstandaard met een expanderbout aan de muur of het plafond te bevestigen. Gebruik ringen en moeren om de doorlopende stang vast te zetten.

## Werking

### Voordat u het product gaat bedienen



**WAARSCHUWING:** Deze machine is ontworpen en bestemd voor het boren van beton, baksteen en andere steensoorten. Elk ander gebruik is incorrect.



**WAARSCHUWING:** Controleer vóór het boren of alle borgschroeven goed zijn vastgedraaid. Er kunnen ernstige ongelukken gebeuren als de betonnen kern in de boor blijft zitten wanneer u de boor(motor) uit de vloer, muur of het plafond verwijdert.



**WAARSCHUWING:** Gebruik bij het boren in plafonds altijd een watercollector die is goedgekeurd voor het type boormotor dat u gebruikt, of gebruik een hydraulische boormotor. Het risico bestaat dat de boormachine en het statief onder stroom komen te staan wanneer er water de machine binnensijpelt.



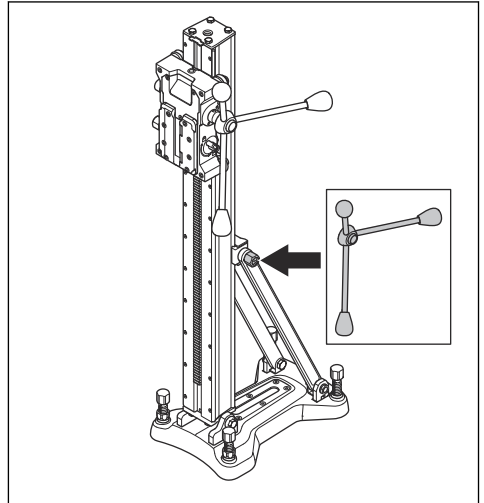
**WAARSCHUWING:** Controleer of de eindaanslag is gemonteerd en of deze werkt.

1. Lees de gebruikershandleiding zorgvuldig door en zorg dat u de instructies hebt begrepen.
2. Zorg dat het werkgebied schoon en goed verlicht is om ongevallen te voorkomen.
3. Voer dagelijks onderhoud uit. Zie *Dagelijks onderhoud van de boorstandaard op pagina 50*.

4. Maak altijd gebruik van persoonlijke beschermingsmiddelen. Zie *Persoonlijke beschermingsuitrusting op pagina 44*.

### De hoek van de boorkolom aanpassen

1. Draai de borgschroef waarmee de boorkolom is vergrendeld los en stel de gewenste boorhoek in.



2. Gebruik de hoekindicator voor een globale afstelling. Gebruik een andere meetmethode als een hogere nauwkeurigheid noodzakelijk is.
3. Draai de borgschroef van de boorkolom vast. Gebruik de toevoerhendel. De boorkolom kan  $0-90^\circ$  worden gekanteld.

# Onderhoud

## Inleiding



**WAARSCHUWING:** Zorg dat u het hoofdstuk over veiligheid hebt gelezen en begrepen voordat u onderhoud aan het product gaat uitvoeren.



**WAARSCHUWING:** Koppel de voedingskabel los voordat u onderhoud uitvoert om letsel te voorkomen.

## Dagelijks onderhoud van de boorstandaard

- Controleer of de moeren en schroeven goed zijn vastgedraaid.
- Reinig de externe oppervlakken van de boorstandaard.
- Zorg ervoor dat de toevoerhendel zonder weerstand beweegt.
- Zorg ervoor dat de tandwielen eenvoudig bewegen en geen geluid maken.
- Controleer de boorkolom op slijtage en beschadiging.
- Zorg ervoor dat de boormotorslede eenvoudig kan bewegen en dat er geen speling is tegen de boorkolom.

## De boorstandaard reinigen en smeren



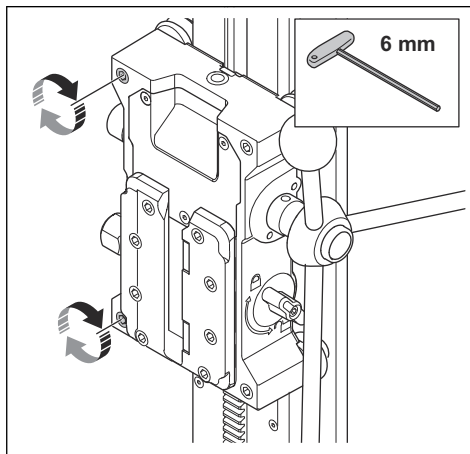
**OPGELET:** Als u de boorstandaard niet reinigt, kan deze beschadigd raken.

1. Verwijder de boormotor.
2. Maak de boorstandaard schoon met een hogedrukreiniger en verwijder vervolgens het achtergebleven water met een droge doek.
3. Smeer de bewegende delen op de boorstandaard. Breng vet aan op de contactvlakken om corrosie te voorkomen.

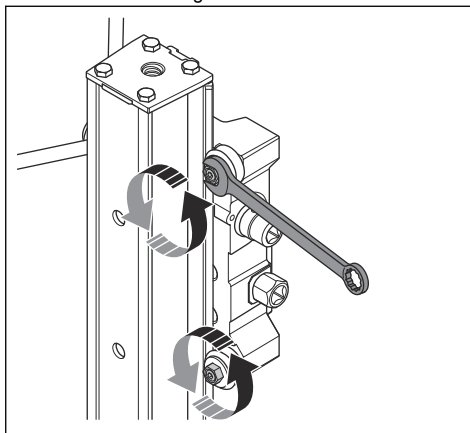
## De boormotorslede afstellen

Als er afstand is tussen de boorkolom en de boormotorslede, moet de boormotorslede worden afgesteld.

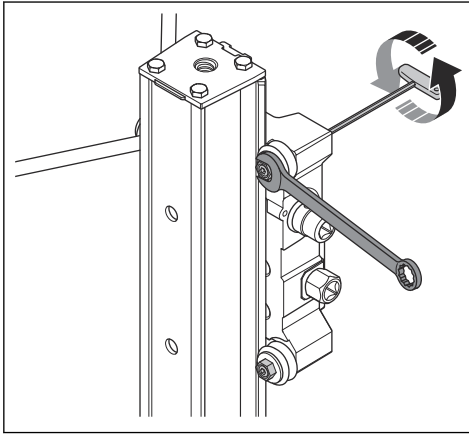
1. Maak de schroeven los die de assen van de rollen vasthouden.



2. Stel de assen van de rollen af. Draai de schroef linksom om de geleidewielen in de richting van de boorkolom te bewegen.

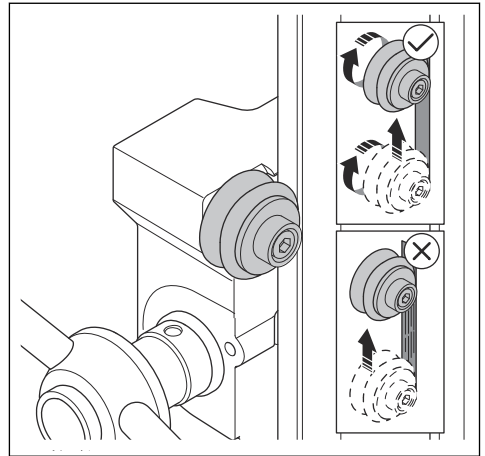


3. Vergrendel de positie van het geleidewiel met een sleutel. Draai de schroef vast om de as van de rollen met een inbussleutel te vergrendelen.



**Let op:** Nadat u de assen van de rollen hebt vastgedraaid, moet het mogelijk zijn ze met de toevoerhendel te draaien, maar niet met de hand.

4. Gebruik de toevoerhendel om de motorslede omhoog en omlaag te bewegen. Zorg ervoor dat de boormotorslede soepel over de boorkolom beweegt. De assen van de rollen moeten draaien en mogen niet bewegen. Stel de assen van de rollen indien nodig opnieuw af.



## Transport en opslag

### Transport en opslag

- Zet het product tijdens het vervoer veilig vast om schade en ongevallen te voorkomen.
- De transportwielen (accessoires) kunnen worden gebruikt om de standaard met gemonteerde boorunit te vervoeren.
- Zonder transportwielen moet de boorunit tijdens transport van de standaard worden gedemonteerd, omdat het totale hefgewicht hoger is dan 25 kg.
- Bewaar het product in een afgesloten ruimte om toegang door kinderen of onbevoegde personen te verhinderen.
- Houd de boormachine en de standaard droog en vorstvrij.

---

## Technische gegevens

---

### Technische gegevens

Afmetingen	
Hoogte, mm / inch	1050 / 41,3
Breedte, mm / inch	240 / 9,4
Diepte, mm / inch	395 / 15,5
Gewicht, kg / lb	17 / 37,4
Verplaatsingsafstand, mm / inch	700 / 27,5
Max. belasting (op het handvat), kg/lb	120 / 264,5
Hoek boorkolom	0-90°

### Maximale boordiameter

Boormotor	Zonder snel aan te brengen afstandstuk, mm / inch	Met snel aan te brengen afstandstuk, mm / inch
DM 650	400 / 15,7	500/19,7
DM 280 / 340	370 / 14,6	470/18,5

---

## Service

---

### Goedgekeurd servicecentrum

Ga naar de website om het dichtstbijzijnde door erkende servicecentrum van Husqvarna Construction Products te vinden.

---

## EG verklaring van overeenstemming

---

### EG verklaring van overeenstemming

Wij, **Husqvarna AB**, SE-561 82 Huskvarna, Zweden, tel:  
+46-36-146500, verklaren onder onze  
alleenverantwoordelijkheid dat het product:

<b>Beschrijving</b>	<b>Boorstatief</b>
<b>Merk</b>	Husqvarna
<b>Type/model</b>	DS 500
<b>Identificatie</b>	Serienummers vanaf 2019 en verder

volledig voldoet aan de volgende EU-richtlijnen en -  
regelgeving:

<b>Richtlijn/Verordening</b>	<b>Beschrijving</b>
2006/42/EG	"betreffende machines"

en dat de volgende geharmoniseerde normen en/of  
technische specificaties zijn toegepast:

EN ISO 12100:2010

EN 12348:2000+A1:2009

EN 62841-3-6:2014+A11:2017

Partille, 2019-02-25



Edvard Gulis

Global R&D Director

Betonzagen en -boren

Husqvarna AB, Construction-divisie







[www.husqvarnacp.com](http://www.husqvarnacp.com)

Original instructions  
Originalanweisungen  
Instructions d'origine  
Originele instructies

1141345-20



2019-10-01