

GAZELLE[®]

G9505-II

Cross Line Laser Level Quick Start Guide



SAFETY

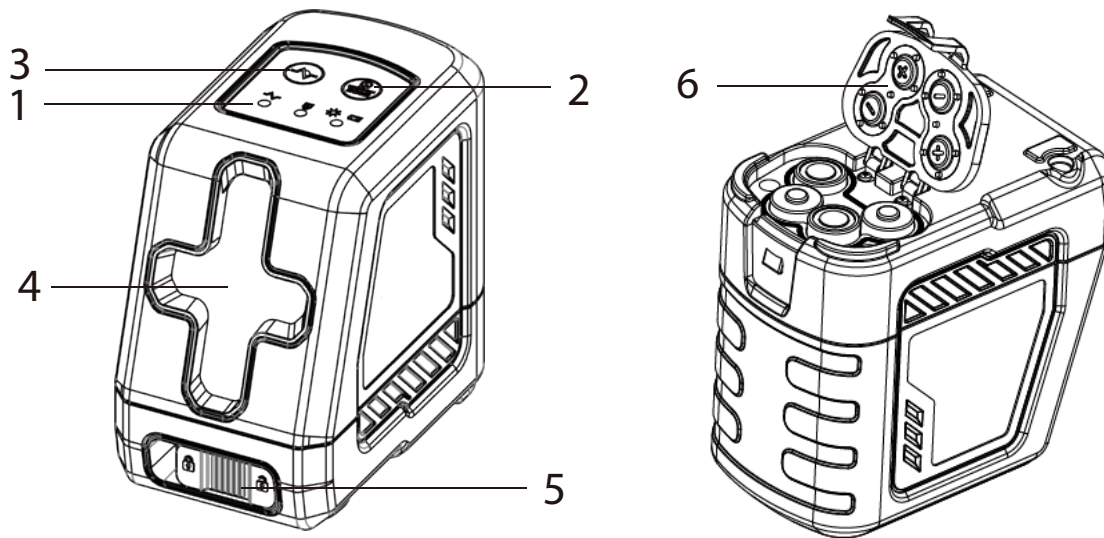
Read the Safety Instructions and Manual thoroughly before using this product. All users must fully understand and adhere to these instructions.

- While the product is in operation, be careful not to expose your eyes to the emitting laser beam. Exposure to a laser beam for an extended time may be hazardous to your eyes.
- Do not stare directly into the beam or view directly with optical instruments or set up the laser at eye level.
- Do not disassemble the laser tool. There are no user-serviceable parts inside.
- Do not modify the laser in any way. Modifying the tool may result in hazardous Laser Radiation Exposure.
- Do not operate the laser around children or allow children to operate the laser.
- An exposure to the beam of a Class 2 laser is considered safe for a maximum of 0.25 seconds. Eyelid reflexes will normally provide adequate protection.

SPECIFICATION

Laser Type	Green Laser
Laser Lines	2 Lines / Vertical / Horizontal
Laser Class	Class II
Laser Wavelength	505-550nm
Levelling Accuracy	±2mm/10m
Levelling / Compensation Range	4°±1°
Working Distance (Line)	30m
Power Source	4x1.5v AA battery
Mount Size	1/4-20 Mounting Thread
IP Rating	IP54
Operation Temperature Range	-10°C~+50°C
Storage Temperature Range	-25°C~+75°C
Operating Time	About 8 Hours Normal mode ~10 Hours pulse mode ~30 Hours power saver mode.

PRODUCT OVERVIEW



- | | |
|-----------------------------------|------------------------------|
| 1. Power mode light indicator | 4. Laser window |
| 2. Pulse mode/saving power button | 5. Auto leveling mode switch |
| 3. Power mode button | 6. Battery compartment |

Getting Started

Use only AA batteries (1.5V) for the G9505-II LASER LEVEL

1. Open the battery compartment cover on the back.
2. Insert the batteries into the instrument observing the correct poles.
3. Close the battery compartment cover.

Note: If the Power Mode indicator is red and flashes frequently, it means that the battery is weak and the battery needs to be replaced. If you encounter the laser does not work, please check the positive and negative battery terminals.

OPERATION

Before inserting the batteries, make sure that the Lock switch is at lock position. Similarly keep the Lock switch is at lock position when you are transporting the laser level or when it is not in use.

1. Self-leveling mode

Turn Lock Switch at **unlock** position, vertical and horizontal laser beams will both light up, and the machine will be self-leveling. Power Indication light is green. (If laser lines flash, it indicates the lines is not level, adjust the position of the device until the laser line get steady, the self-leveling range is about 4°) Short press the Mode button, the vertical line is turned off, and the horizontal line works. Short press the power button again, the horizontal line is turned off, and the vertical line is working. Press the power button again, the horizontal line and the vertical line are light on. Back and forth. Turn Lock Switch at **lock** position, laser level stop working.

2. Locked mode

When Lock Switch at **lock** position, long-press Mode button, vertical and horizontal laser beams both light up and flash every 6 seconds, the Power Indication and lock indication light are both Green. Short press the on key, the is vertical line off, and the horizontal line works, blinking every 6 seconds. Short press the key again, the vertical line works, and the horizontal line turns off, blinking every 6 seconds. Short press the key again to enter the cycle, in this lock mode, you can tilt the spirit level at will.

3. Energy saving mode

In auto-leveling mode and tilt mode, short press the “Pulse mode/saving power “button, the instrument enters the energy-saving mode, pulse mode Indication light is green. The brightness becomes gradually darken the light. reduced to about 50% of maximum brightness, short press it again to reduce it to 25 % brightness. Back and forth.

4. Pulse mode

In auto-leveling mode and tilt mode, long press 3 seconds the “Pulse mode/saving power” button to enter the pulse mode. pulse mode Indication light is green. You can use detector for long distance work. long press 3 seconds the “Pulse mode/saving power” turn off the Pulse mode.

5. IP 54 Protection

With a protection level of IP54, and has the functions of waterproof, dustproof, and shockproof.

MAINTENANCE

- The laser tool is sealed and calibrated at the plant to the accuracy specified.
- It's recommended to carry out an accuracy check before its first use and periodic checks during future use especially for precise layouts.
- Do not short any battery terminals or charge alkaline batteries or dispose of batteries in a fire.
- Do not mix old and new batteries. Replace all of them at the same time with new batteries of the same brand and type.
- Keep batteries out of reach of children.
- Remove batteries if the tool will not be used for several months.
- Do not store the laser tool in direct sunlight or expose it to high temperatures. The housing and some internal parts are made of plastics and may become deformed at high temperatures.
- Exterior plastic parts may be cleaned with a damp cloth. Although these parts are solvent resistant, NEVER use solvents. Use a soft, dry cloth to remove moisture from the tool before storage.
- Do not dispose of this product with household waste.
- Always dispose of batteries per local code.

WHAT'S IN THE BOX

- 1 x LL-TIG green laser level
- 1 x Storage bags 4 x AA Batteries
- 1 x Instruction Manual
- 1 x Magnetic Mounting Bracket

INNOVATION
PERFORMANCE
SAFETY
CONFIDENCE
GAZELLE

GAZELLE

sales@gazelleindustrial.com | www.gazelleindustrial.com